

Teil Part	Beschreibung Description	Sachnummer Code no.	Position Sheet Pos.	Ort Loc.
A01	Maschinensteuerung machine controller	97138374	siehe Zusatztab.	
A02	Bedienfeld touch panel	97140404	siehe Zusatztab.	
A04	Fahrsteuerung Vorderrad drive controller	97139570	siehe Zusatztab.	
A05	Fahrsteuerung Hinterrad drive controller	97139562	siehe Zusatztab.	
A07	Steuerung Seitenbesen controller side brush	90410366	siehe Zusatztab.	
A20	Fleetrecorder fleetrecorder	97131411	siehe Zusatztab.	
A101	Chemiepumpensteuerung chemical pump controller	97139372	10/28	
B03	Fahrgeber accelerator	97131882	8/40	
B04	Frischwassersensor fresh water sensor	92013481	6/16	
B20	I-Button-Reader i-button-reader	97131429	11/20	
B101	Durchflussmesser flow sensor	90596529	10/26	
C01	Entstörkondensator suppressor capacitor front drive	90288879	5/21	
E01	Arbeitsscheinwerfer working headlight	97132807	10/5 11/50	
E02	Blitzleuchte warning beacon	97084222	10/12	
E02.	Blitzleuchte am Schutzdach warning beacon on overhead cover	97084222	10/19	
E03	Blinklicht warning beacon	97131023	10/40	
E14	Blue Spot blue spot	92049915	10/54	
E21	Arbeitsscheinwerfer Anbauteil working headlight attached part	97132807	11/42	
F01	Sicherung Steuerspannung 7,5A fuse controller 7,5A	19731587	3/15	
F01.	Sicherung Steuerspannung 7,5A fuse controller 7,5A	19731587	3/38	
F02	Sicherung Maschinensteuerung 125A fuse machine controller 125A	19731546	4/2	
F03	Sicherung Fahrsteuerung vorne 150A fuse drive controller front 150A	19731561	4/6	
F04	Sicherung Fahrsteuerung hinten 100A fuse drive controller rear 100A	19731553	4/11	
F05	Sicherung Seitenbesen 30A fuse side broom 30A	19731595	12/2	
F05.	Sicherung Kehr-Saugvorsatz 30A fuse front sweeper 30A	19731595	11/32	
F19	Sicherung Hupe 5A fuse horn 5A	19731272	3/19	
F19.	Sicherung Hupe 5A fuse horn 5A	19731272	3/44	
G01	Batterie 320Ah PzS battery 320Ah PzS	90683624	3/4	
G01.	Batterie 280Ah PzV battery 280Ah PzV	92027515	3/12	
G10	Onboard-Ladegerät 35A onboard charger 35A	97147524	3/5	
H01	Hupe horn	90194911	5/16	
K01	Hauptrelais 2-pol. main relais 2-pole	92004282	3/25 11/50 12/10	
K01.	Hauptrelais 1-pol. main relais 1-pole	92027176	3/50 11/50 12/10 3/45	
K02	Relais 1-pol. relais 1-pole	90267949	8/8	
K03	Relais 1-pol. relais 1-pole	90267949	9/27	
K05	Rel. Ausheb. rel. sidebr.	90696857	12/47	
K21	Relais 2-pol. relais 2-pole	92049469	11/32	
M01	Fahrmotor drive motor	90685835	8/40	
M02	Hinterradantrieb drive motor rear	97141428	9/37	
M03	Bürstenmotor links (Tellerbürste) brush motor left (plate brush)	90577248	7/24	
M03.	Bürstenmotor links (Walzenbürste) brush motor left (cylindrical brush)	92009562	7/47	
M04	Bürstenmotor rechts (Tellerbürste) brush motor right (plate brush)	90577248	7/35	
M04.	Bürstenmotor rechts (Walzenbürste) brush motor right (cylindrical brush)	92009562	7/58	
M08	Wasserpumpe waterpump	97116529	6/25	
M09	Hubelement Bürstendeck lifting element brushdeck	92023332	7/15	
M10	Hubelement Saugfuß lifting element squeegee	92005727	7/27	

Teil Part	Beschreibung Description	Sachnummer Code no.	Position Sheet Pos.	Ort Loc.
M12	Hubelement Seitenbesenanlage lifting element side brush deck	92005727	12/50	
M16	Saugmotor suction motor	97142475	7/11	
M17	Saugmotor suction motor	97142475	7/15	
M19	Seitenbesenmotor links sidebroom left	92014455	12/6	
M20	Seitenbesenmotor rechts sidebroom right	92019017	12/16	
M21	Zentralmotor combined motor	92022524	11/31	
P02	Signalgeber buzzer	97047187	10/35	
P03	Signalgeber buzzer	97047187	10/46	
P20	Summer Fleetrecorder buzzer fleetrecorder	97134456	11/25	
R10	Widerstand R120 resistor R120	90266925	3/5	
R20	Lenkwinkelsensor sensor steer angel	92017995	9/21	
R102	Vorwiderstand 2k7 resistor 2k7	19245258	11/15	
R103	Vorwiderstand 4k7 resistor 4k7	19245216	11/7	
R106	Vorwiderstand R270 resistor R270	19245109	10/35	
R107	Vorwiderstand R270 resistor R270	19245109	10/40	
R108	Vorwiderstand R270 resistor R270	19245109	10/46	
S01	Schlüsselschalter key switch	90323437	4/25	
S04	Schmutzwasserschalter dirty water switch	97142400	6/24	
S05	Sitzkontaktschalter seat contact switch	90690694	6/30	
S10	Fußbremsschalter switch foot brake	90472176	8/12	
T10	Kombiantenne antenna	90672007	11/9	
V01	Freilaufdiode recovery diode	90194879	5/13	
Y01	Wasserventil watervolve	90435595	6/33	

Teil Part	Beschreibung Description	Sachnummer Code no.	Position Sheet Pos.	Ort Loc.
M03/S1	2-pol. AMP Super-Seal 2-pol. AMP Super-Seal		7/51	
M04/S1	2-pol. AMP Super-Seal 2-pol. AMP Super-Seal		7/62	
M21/S1	2-pol. AMP Super-Seal 2-pol. AMP Super-Seal		11/31	
X01	Batteriestecker 160A battery connector 160A		3/3 3/26	
X01.	Batteriestecker 160A battery connector 160A		3/10 3/54	
X01..	Batteriestecker SR175 battery connector SR175		3/47	
X02	6-pol. Fastin-Faston 6.3 6-pol. Fastin-Faston 6.3		3/14 4/31	
X02.	6-pol. Fastin-Faston 6.3 6-pol. Fastin-Faston 6.3		3/41	
X11	8-pol. Mini-Fit Jr. 8-pol. Mini-Fit Jr.		9/1	
X11.	8-pol. Mini-Fit Jr. 8-pol. Mini-Fit Jr.		9/18	
X20	4-pol. Mini-Fit Jr. 4-pol. Mini-Fit Jr.		6/7	
X22	14-pol. Mini-Fit Jr. 14-pol. Mini-Fit Jr.		12/23 12/32	
X22.	14-pol. Mini-Fit Jr. 14-pol. Mini-Fit Jr.		11/49	
X23	2-pol. Mini-Fit Jr. 2-pol. Mini-Fit Jr.		6/9 11/49	
X23.	2-pol. Mini-Fit Jr. 2-pol. Mini-Fit Jr.		11/49	
X24	2-pol. Microfit 2-pol. Microfit		6/13 10/35 10/48	
X25	2-pol. Mini-Fit Jr. 2-pol. Mini-Fit Jr.		6/17 10/37	
X26	2-pol. Mini-Fit Jr. 2-pol. Mini-Fit Jr.		6/21	
X43	Verteilerbolzen (-) M8 junction bolt (-) M8		3/36 3/49	
X44	4-pol. Fastin-Faston 6.3 4-pol. Fastin-Faston 6.3		7/25 12/46	
X44A	4-pol. Fastin-Faston 6.3 4-pol. Fastin-Faston 6.3		12/45	
X44B	4-pol. Fastin-Faston 6.3 4-pol. Fastin-Faston 6.3		12/45	
X45	8-pol. Mini-Fit Jr. 8-pol. Mini-Fit Jr.		12/23	
X51	9-pol. Anbauteil 9-pol. attached part		11/33	
X60	OBDDII Diagnosestecker OBDDII diagnostic connector		4/52	
X65	2-pol. Mini-Fit Jr. 2-pol. Mini-Fit Jr.		10/14	
X65.	2-pol. Mini-Fit Jr. 2-pol. Mini-Fit Jr.		10/21	
X78	8-pol. MicroFit 8-pol. MicroFit		11/4	
X97	4-pol. USB 4-pol. USB		5/35	
X100	VGND M6 Bolzen VGND M6 bolt		5/29	
X101	VGND M6 Bolzen VGND M6 bolt		6/56	

3



3	1 x	3905-34	17.01.19	Rifmann	2015	Date	Name	B175 R	Name	Schaltplan B175 R / circuit diagram B175 R	 Hako GmbH D-23840 Bad Oldesloe	Drawing Number			
A2	No. Number appears	Change No.	Date	Name	Standard	18.03.	Ri	Replacem. for	For this drawing we reserve all rights (acc. DIN ISO 16016)			KABI 470	Type 7434	Dep. ELK	91037804
										KABI 470		No. of Sh. 15		Sheet 1	

Teil Part	Beschreibung Description	Sachnummer Code no.	Position Sheet Pos.	Ort Loc.
XS01	USSP ussp	-	4/29	
XS02	USSP ussp	-	3/41	
XS03	USSP ussp	-	3/14	
XS06	USSP ussp	-	4/24	
XS08	USSP ussp	-	4/33	
XS09	USSP ussp	-	11/4	
XS10	USSP ussp	-	9/36	
XS11	USSP ussp	-	8/13	
XS12	USSP ussp	-	8/2	
XS13	USSP ussp	-	5/7	
XS14	USSP ussp	-	4/40	
XS15	USSP ussp	-	12/14	
XS16	USSP ussp	-	12/18	
XS17	USSP ussp	-	8/8	
XS19	USSP ussp	-	8/19	
XS20	USSP ussp	-	8/21	
XS23	USSP ussp	-	3/42	
XS24	USSP ussp	-	3/28	
XS25	USSP ussp	-	3/19	
XS26	Splice splice	-	3/1	
XS27	Splice splice	-	3/3	
XS28	USSP ussp	-	3/41	
XS29	USSP ussp	-	11/33	
XS30	USSP ussp	-	11/35	
XS31	USSP ussp	-	11/38	
XS32	USSP ussp	-	11/32	
XS33	USSP ussp	-	11/35	
XS34	Splice splice	-	5/16	
XS35	Splice splice	-	5/16	
XS36	USSP ussp	-	5/24	
XS37	USSP ussp	-	5/25	
XS38	USSP ussp	-	5/31	
XS39	USSP ussp	-	5/33	
XS40	USSP ussp	-	5/28	
XS41	USSP ussp	-	5/47	
XS42	USSP ussp	-	5/51	
XS43	USSP ussp	-	6/47	
XS44	USSP ussp	-	6/50	
XS45	USSP ussp	-	12/45	
XS51	USSP ussp	-	6/5	
XS77	USSP ussp	-	11/15	

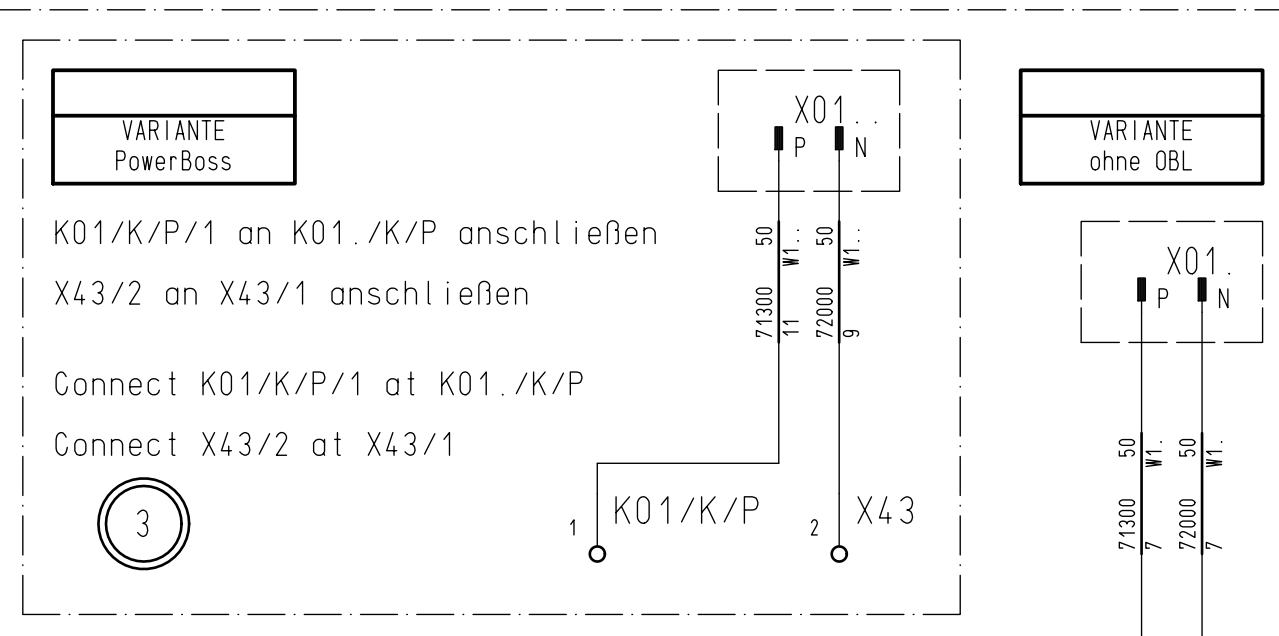
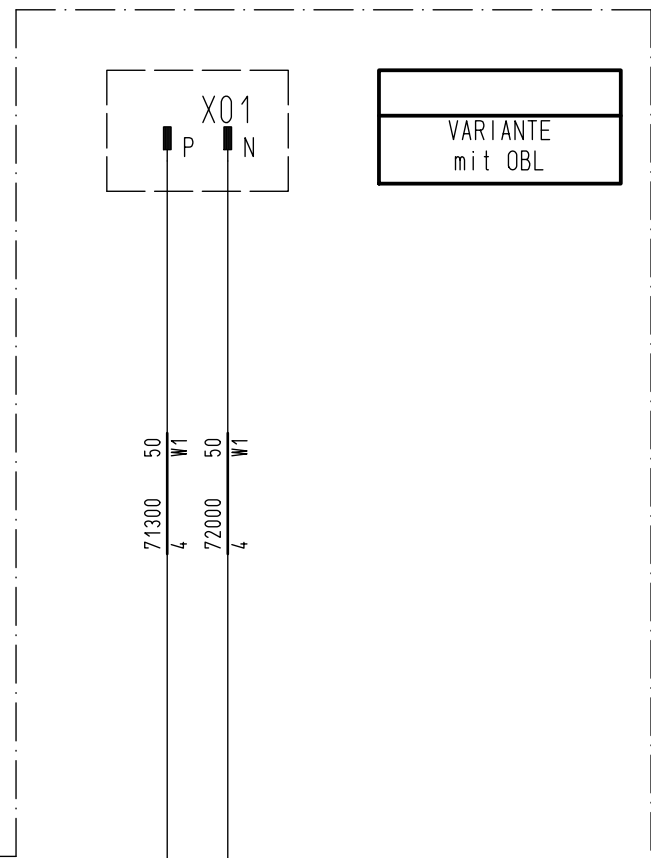
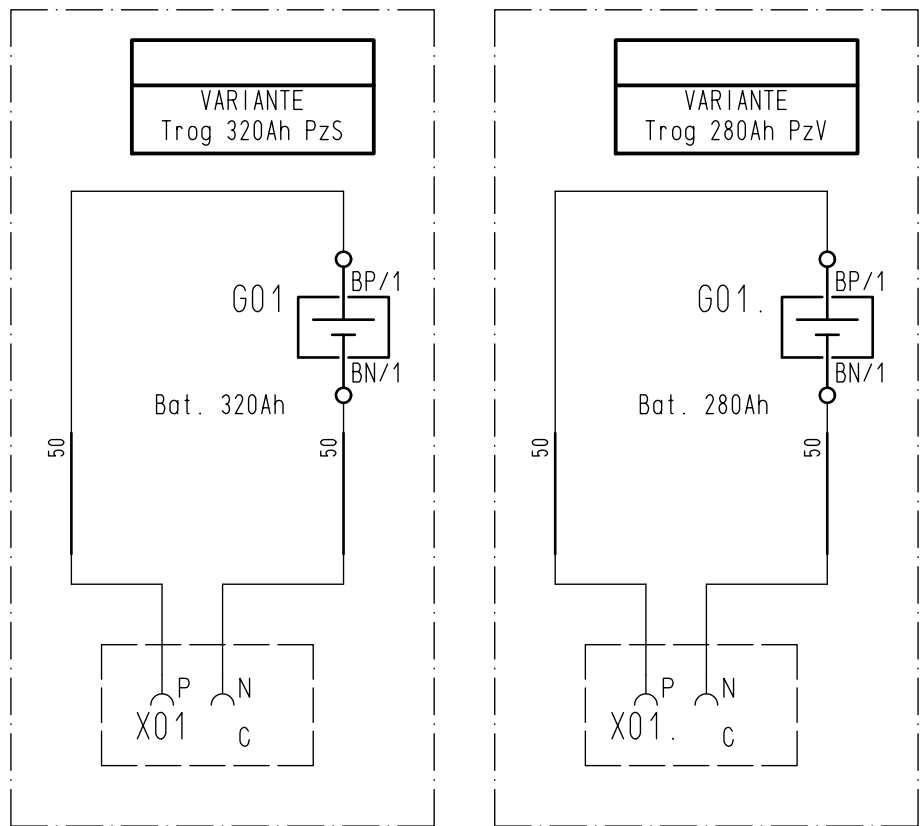
Teil Part	Beschreibung Description	Position Sheet Pos.	Ort Loc.
A01	Maschinensteuerung machine controller	X1 7/6 X2 7/6	
A01/X11	Maschinensteuerung machine controller	X11/1 7/20 X11/2 7/25	
A01/X12	Maschinensteuerung machine controller	X12/1 6/26 X12/2 6/26 X12/3 6/13 X12/4 6/30 X12/5 6/4	
A01/X13	Maschinensteuerung machine controller	X13/1 7/12 X13/2 6/48 X13/3 6/53 X13/4 6/40 X13/5 6/4	
A01/X14	Maschinensteuerung machine controller	X14/1 6/2 X14/2 6/4	
A01/X15	Maschinensteuerung machine controller	X15/1 6/28 X15/2 6/30 X15/3 6/20 X15/4 6/24 X15/5 7/11	
A01/X18	Maschinensteuerung machine controller	X18/1 5/41 X18/2 5/38	
A01/X20	Maschinensteuerung machine controller	X20/1 5/52 X20/2 5/52	
A01/X22	Maschinensteuerung machine controller	X22 6/56	
A02	Bedienfeld touch panel	X101/1 5/5 X101/2 5/11 X101/5 5/7 X101/6 5/9 X101/7 5/5	
A04	Fahrsteuerung drive controller	PBat/B+ 8/8 NBat/B- 8/8	
A04/A	Fahrsteuerung drive controller	A/1 8/33 A/2 8/34 A/3 8/40 A/4 8/16 A/5 8/16	
A04/B	Fahrsteuerung drive controller	B/1 8/20 B/2 8/19	
A04/C	Fahrsteuerung drive controller	C/1 8/46 C/2 8/47	
A05	Fahrsteuerung drive controller	PBat/B+ 9/28 NBat/B- 9/16	
A05/A	Fahrsteuerung drive controller	A/1 9/52 A/2 9/52 A/3 9/22 A/4 9/38 A/5 9/35	
A05/B	Fahrsteuerung drive controller	B/1 9/24 B/2 9/26	
A05/C	Fahrsteuerung drive controller	C/1 9/44 C/2 9/45	
A07	Steuerung Seitenbesen controller side brush	X1/1 12/1 X1/2 12/1	
A20	Fleetrecorder fleetrecorder	X1/1 11/3 X1/2 11/3 X1/3 11/4 X1/4 11/7 X1/5 11/12	

Teil Part	Beschreibung Description	Sachnummer Code no.	Position Sheet Pos.	Ort Loc.
	Kabelbaum W1 (Variante mit OnBoard Charger)	97141576		
	Kabelbaum W1 (Variante ohne OnBoard Charger)	97141584		
	Kabelbaum W1 (Variante mit Anderson-Stecker)	97159123		
	Kabelbaum W2 (Variante mit OnBoard Charger)	97141030		
	Kabelbaum W2 (Variante ohne OnBoard Charger)	97141048		
	Kabelbaum W3	97154264		
	Kabelbaum W4	97142285		
	Kabelbaum W10	97142590		
	Kabelbaum W18 (Variante Allrad)	97140826		
	Kabelbaum W19 (Variante Allrad)	97140835		
	Kabelbaum W29	97145791		
	Kabelbaum W35 (Walzenbürste)	97149777		
	Kabelbaum W36 (Walzenbürste)	97149785		
	Kabelbaum W51 (Option Kehr-Saug-Vorsatz)	97150692		
	Kabelbaum W52 (Option Seitenbesenanlage)	97139182		
	Kabelbaum W53 (Option Seitenbesenanlage)	97146161		
	Kabelbaum W54 (Option Kehr-Saug-Vorsatz)	97150825		
	Kabelbaum W65 (Option Blitzleuchte)	97144844		
	Kabelbaum W66 (Opt. Blitzleuchte Fahrerschuttdach)	97154231		
	Kabelbaum W67 (Option Warneinrichtung)	97156848		
	Kabelbaum W69 (Option BlueSpot)	97158299		
	Kabelbaum W70 (KUD Satz Arbeitsscheinw.Kehrv.)	97158331		
	Kabelbaum W77 (Option Fleetrecorder)	97142178		
	Kabelsatz WS2 (Variante mit OnBoard Ladegerät)	97141600		
	Kabelsatz WS2 (Variante ohne OnBoard Ladegerät)	97141618		
	Kabelsatz WS3	97142970		
	Kabelsatz WS4 (Variante mit OnBoard Ladegerät)	97142327		
	Kabelsatz WS4 (Variante ohne OnBoard Ladegerät)	97142335		
	Kabelsatz WS6	97145916		
	Kabelsatz WS8	97140933		
	Kabelsatz WS10	97142939		
	Kabelsatz WS19 (Variante Allrad)	97140842		
	Kabelsatz WS20 (Option Kehr-Saug-Vorsatz)	97154041		
	Kabelsatz WS21 (Option Seitenbesen)	97154397		
	Kabelsatz WS30	97140925		
	Stromschiene bus bar	90633553		

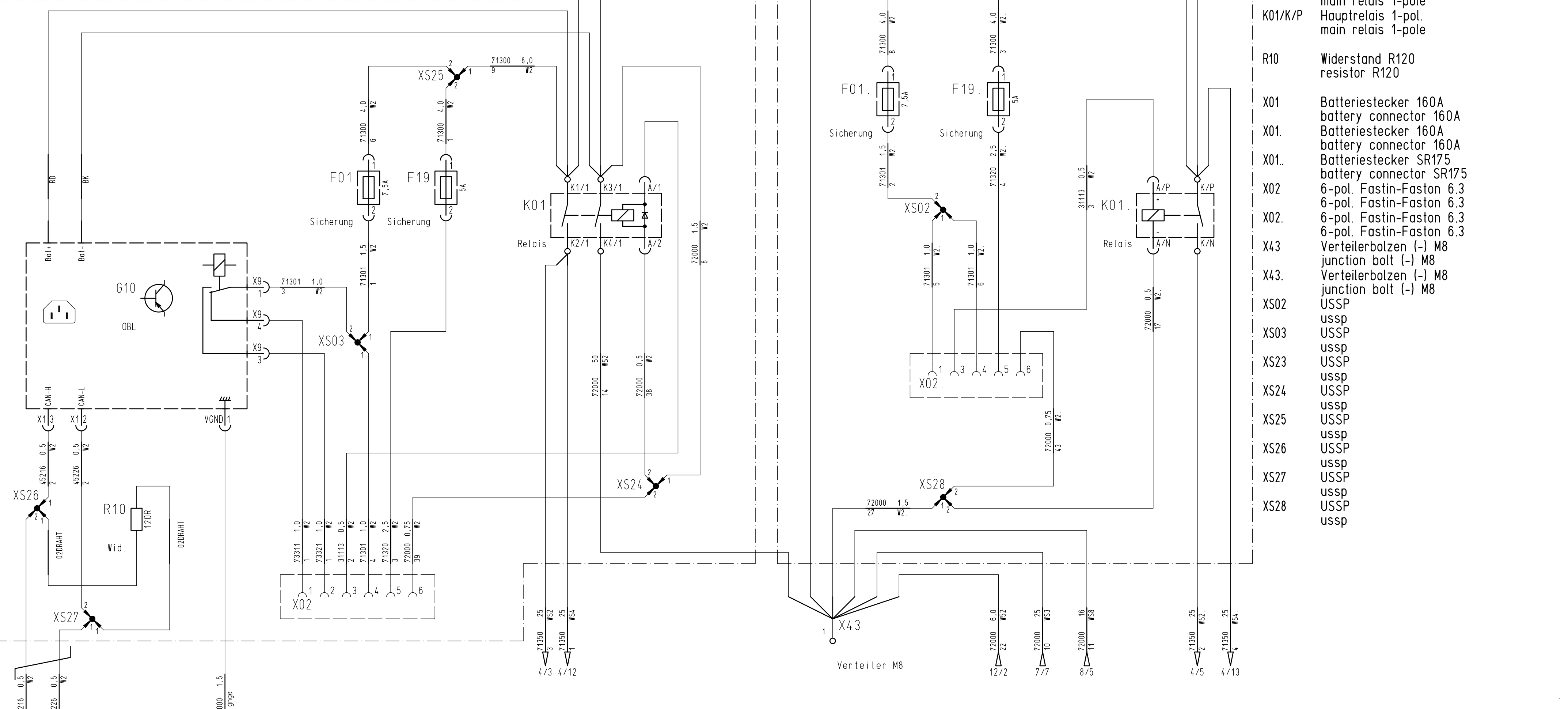
3



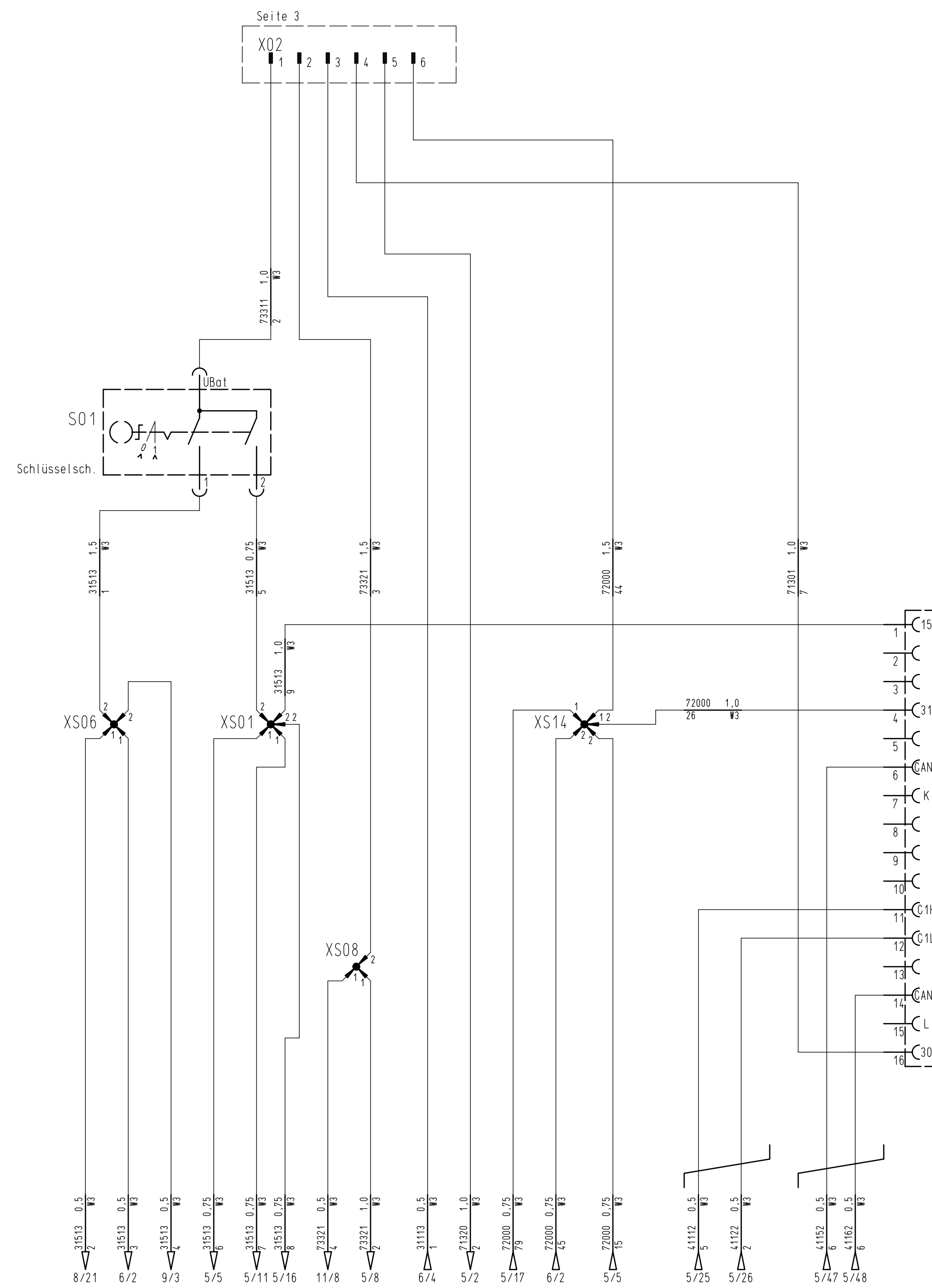
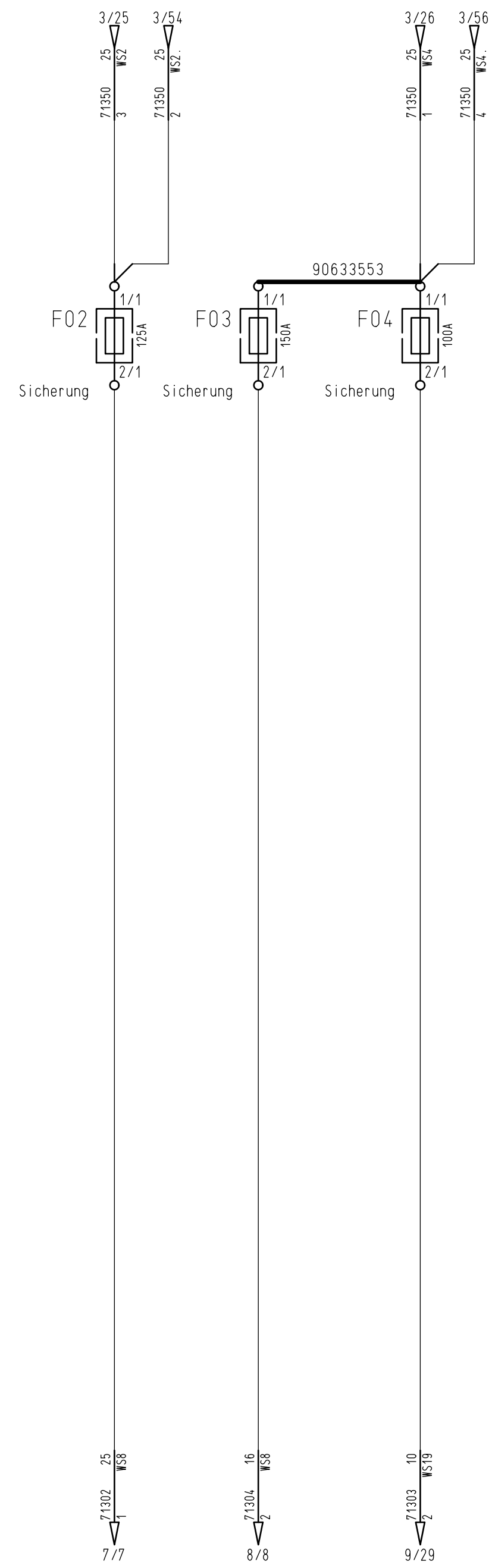
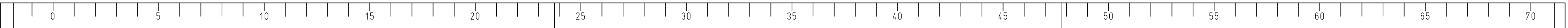
3	1 x	3905-34	17.01.19	Ri/mann	2015	Date	Name	B175 R	Name	Schaltplan B175 R / circuit diagram B175 R	Hako GmbH D-23840 Bad Oldesloe	Drawing Number			
A2	No. Number appears	Change No.	Date	Name	Standard			Replacem. for						91037804	
								Change No.	3737-77	For this drawing we reserve all rights (acc. DIN ISO 16016)	KAB1 470	Type 7434	Dep. ELK	No. of Sh. 15	Sheet 2



- ### Legende
- F01 Sicherung Steuerspannung 7,5A fuse controller 7,5A
 - F01. Sicherung Steuerspannung 7,5A fuse controller 7,5A
 - F19 Sicherung Hupe 5A fuse horn 5A
 - F19. Sicherung Hupe 5A fuse horn 5A
 - G01 Batterie 320Ah PzS battery 320Ah PzS
 - G01. Batterie 280Ah PzV battery 280Ah PzV
 - G10 Onboard-Ladegerät 35A onboard charger 35A
 - K01 Hauptrelais 2-pol. main relais 2-pole
 - K01. Hauptrelais 1-pol. main relais 1-pole
 - K01/K/P Hauptrelais 1-pol. main relais 1-pole
 - R10 Widerstand R120 resistor R120
 - X01 Batteriestecker 160A battery connector 160A
 - X01. Batteriestecker 160A battery connector 160A
 - X01.. Batteriestecker SR175 battery connector SR175
 - X02 6-pol. Fastin-Faston 6.3 6-pol. Fastin-Faston 6.3
 - X02. 6-pol. Fastin-Faston 6.3 6-pol. Fastin-Faston 6.3
 - X43 Verteilerbolzen (-) M8 junction bolt (-) M8
 - X43. Verteilerbolzen (-) M8 junction bolt (-) M8
 - XS02 USSP ussp
 - XS03 USSP ussp
 - XS23 USSP ussp
 - XS24 USSP ussp
 - XS25 USSP ussp
 - XS26 USSP ussp
 - XS27 USSP ussp
 - XS28 USSP ussp



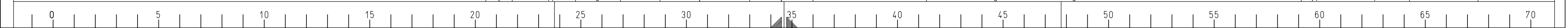
3	1 x	3905-34	17.01.19	Ri/Man	2015	Date	Name	B175 R	Name	 Hako GmbH D-23840 Bad Oldesloe	Drawing Number		
A2	No. Number appears	Change No.	Date	Name	Standard	18.03.	Ri	Replacem. for	Schaltplan B175 R / circuit diagram B175 R		91037804		
For this drawing we reserve all rights (acc. DIN ISO 16016)									KABI 470	Type 7434	Dep. ELK	No. of Sh. 15	Sheet 3

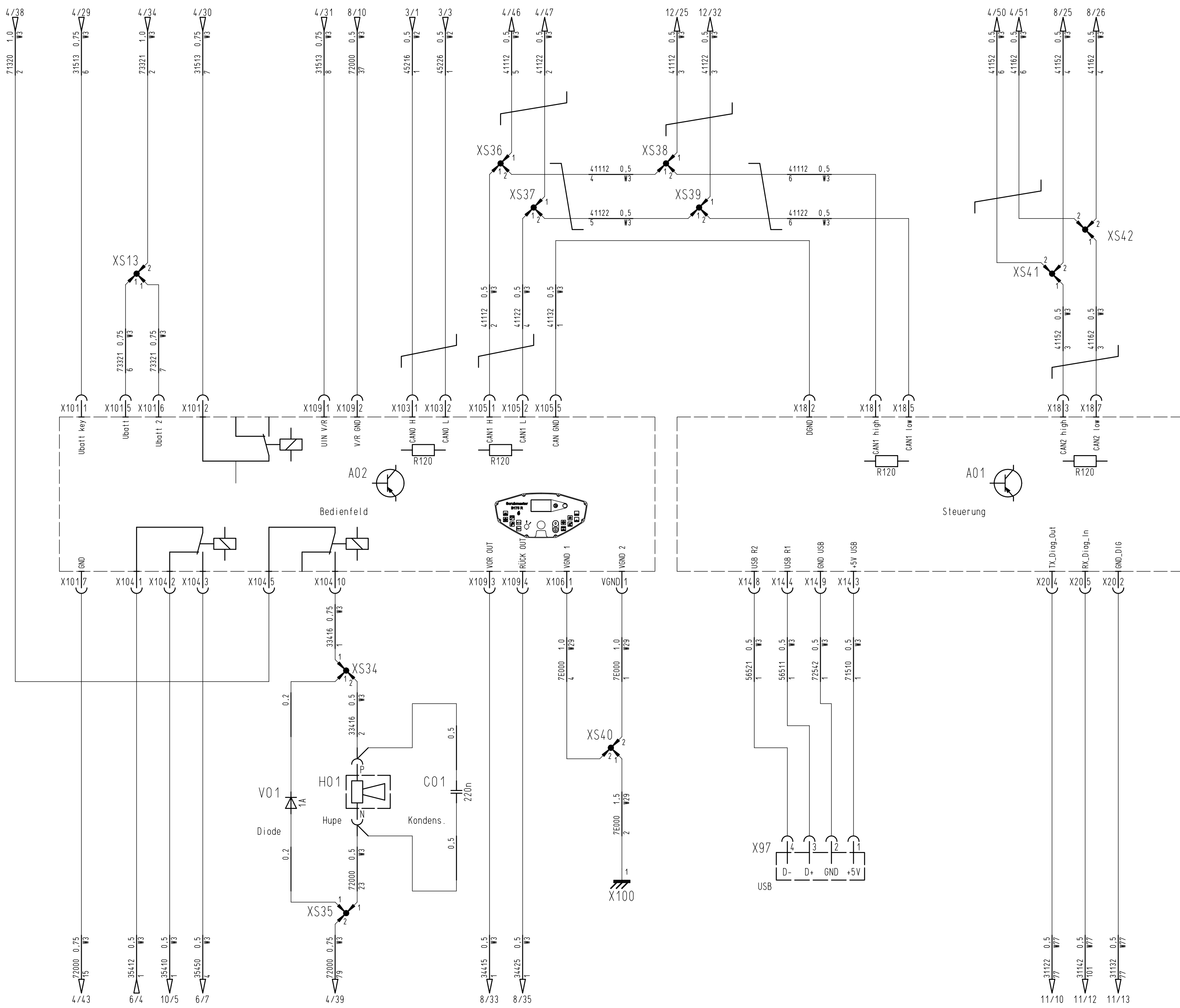


- ### Legende
- F02 Sicherung Maschinensteuerung 125A
fuse machine controller 125A
 - F03 Sicherung Fahrsteuerung vorne 150A
fuse drive controller front 150A
 - F04 Sicherung Fahrsteuerung hinten 100A
fuse drive controller rear 100A
 - S01 Schlüsselschalter
key switch
 - X02 6-pol. Fastin-Faston 6.3
6-pol. Fastin-Faston 6.3
 - X60 OBDII Diagnosestecker
OBDII diagnostic connector
 - XS01 USSP
ussp
 - XS06 USSP
ussp
 - XS08 USSP
ussp
 - XS14 USSP
ussp



3	•/•	3905-34	17.01.19	Rifmann	2015	Date	Name	B175 R	Name	 Hako GmbH D-23840 Bad Oldesloe	Drawing Number					
					Drawn by	18.03.	Ri	Replacem. for	Schaltplan B175 R / circuit diagram B175 R		91037804					
A2	No. Number appears	Change No.	Date	Name	Standard			Change No.	3737-77	For this drawing we reserve all rights (acc. DIN ISO 16016)		KAB1 470	Type 7434	Dep. ELK	No. of Sh. 15	Sheet 4



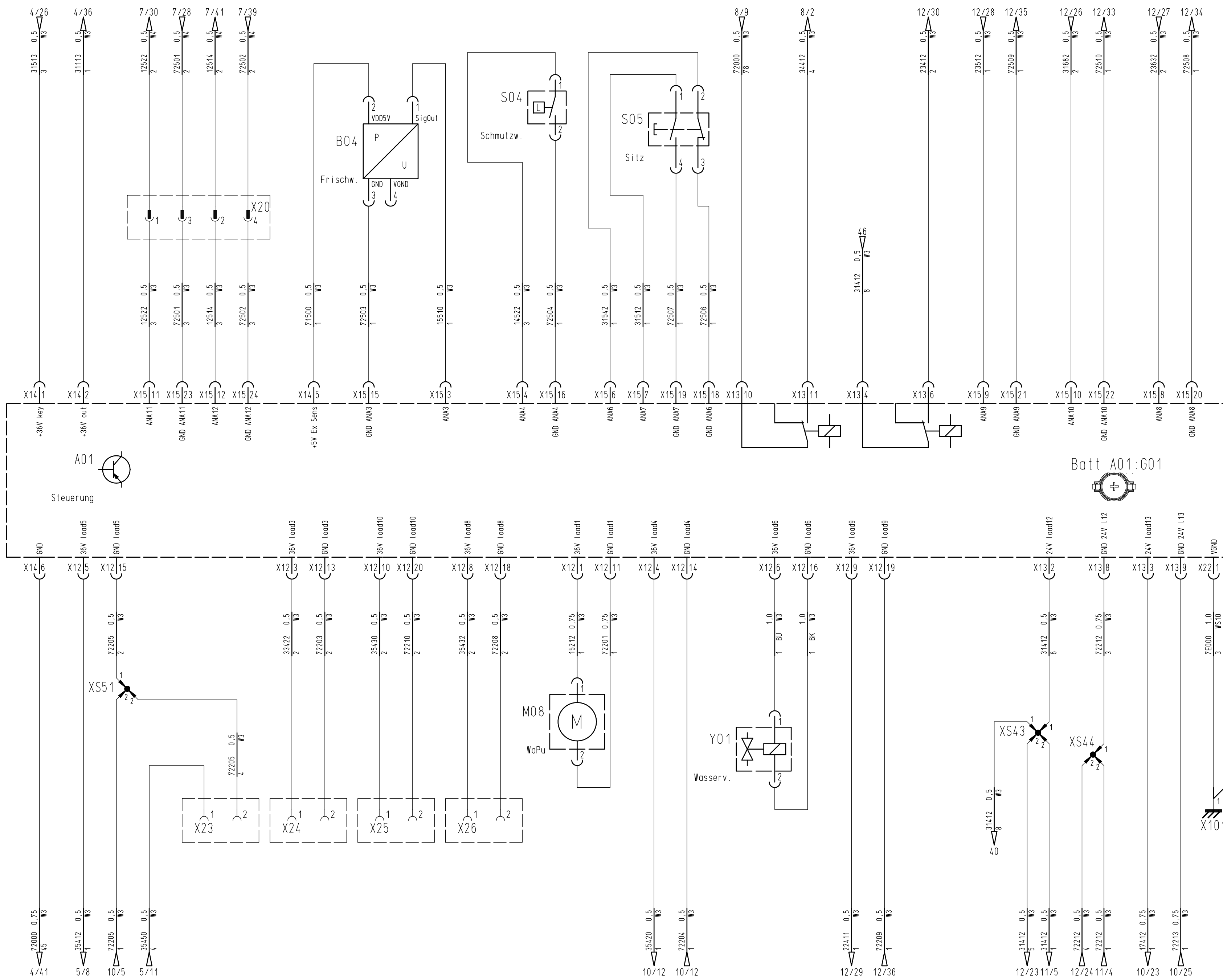


- ### Legende
- A01 Maschinensteuerung
machine controller
 - A02 Bedienfeld
touch panel
 - C01 Entstörkondensator
suppressor capacitor front drive
 - H01 Hupe
horn
 - V01 Freilaufdiode
recovery diode
 - X97 4-pol. USB
4-pol. USB
 - X100 VGND M6 Bolzen
VGND M6 bolt
 - XS13 USSP
ussp
 - XS34 USSP
ussp
 - XS35 USSP
ussp
 - XS36 USSP
ussp
 - XS37 USSP
ussp
 - XS38 USSP
ussp
 - XS39 USSP
ussp
 - XS40 USSP
ussp
 - XS41 USSP
ussp
 - XS42 USSP
ussp



3	•/•	3905-34	17.01.19	Riflmann	2015	Date	Name	B175 R	Name	Schaltplan B175 R / circuit diagram B175 R	KAB1 470	Type 7434	Dep. ELK	Drawing Number	
					Drawn by	18.03.	Ri							91037804	
A2	No. Number appears	Change No.	Date	Name	Standard			Replacem. for	For this drawing we reserve all rights (acc. DIN ISO 16016)			No. of Sh.	Sheet	15 / 5	
								Change No.	3737-77						





Legende

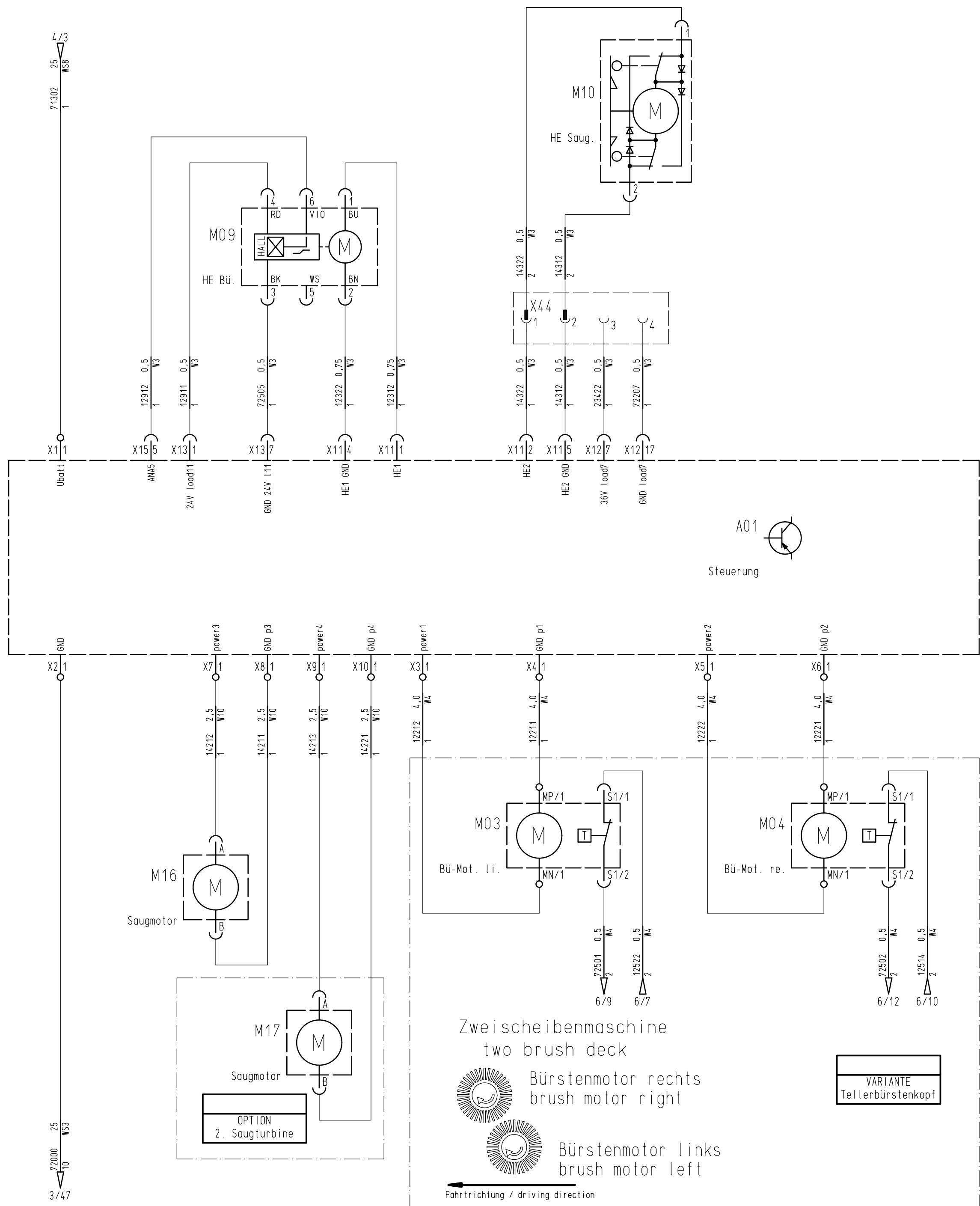
A01	Maschinensteuerung machine controller
B04	Frischwassersensor fresh water sensor
M08	Wasserpumpe waterpump
S04	Schmutzwasserschalter dirty water switch
S05	Sitzkontaktschalter seat contact switch
X20	4-pol. Mini-Fit Jr. 4-pol. Mini-Fit Jr.
X23	2-pol. Mini-Fit Jr. 2-pol. Mini-Fit Jr.
X24	2-pol. Microfit 2-pol. Microfit
X25	2-pol. Mini-Fit Jr. 2-pol. Mini-Fit Jr.
X26	2-pol. Mini-Fit Jr. 2-pol. Mini-Fit Jr.
X101	VGND M6 Bolzen VGND M6 bolt
XS43	USSP
XS44	USSP
XS51	USSP
Y01	Wasserventil watervalve



3	•/•	3905-34	17.01.19	Rifmann	2015	Date	Name	B175 R	Name	Schaltplan B175 R / circuit diagram B175 R	Drawing Number 91037804
					Drawn by	18.03.	Ri				
A2	No. Number appears	Change No.	Date	Name	Standard	Change No.	3737-77	Replacem. for	For this drawing we reserve all rights (acc. DIN ISO 16016)		

Hako
Hako GmbH
D-23840 Bad Oldesloe

Drawing Number: 91037804
Type 7434 Dep. ELK
No. of Sh. 15 Sheet 6

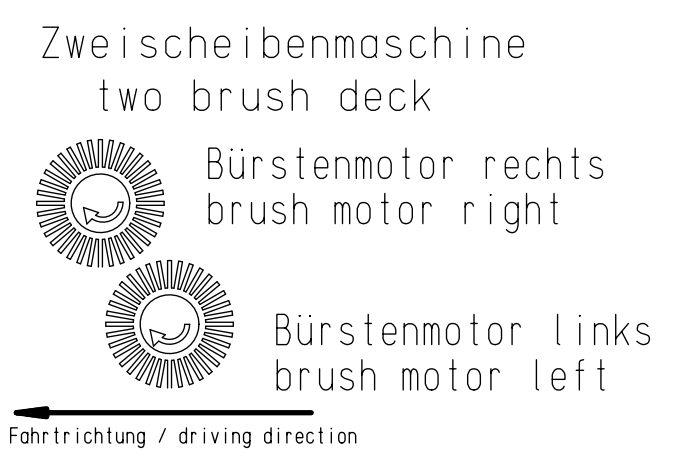
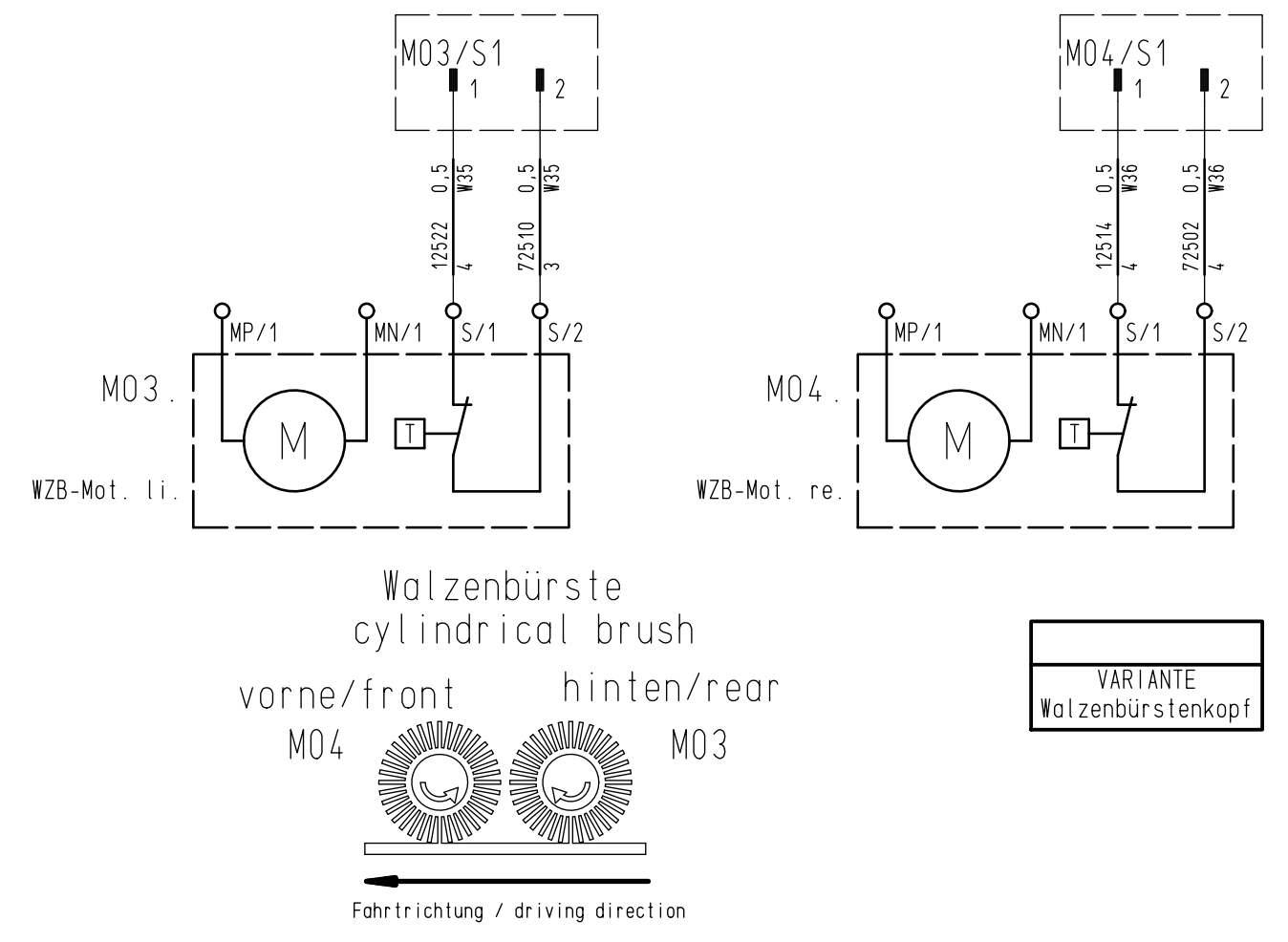


Legende

- A01 Maschinensteuerung
machine controller
- M03 Bürstenmotor links (Tellerbürste)
brush motor left (plate brush)
- M03. Bürstenmotor links (Walzenbürste)
brush motor left (cylindrical brush)
- M03/S1 2-pol. AMP Super-Seal
2-pol. AMP Super-Seal
- M04 Bürstenmotor rechts (Tellerbürste)
brush motor right (plate brush)
- M04. Bürstenmotor rechts (Walzenbürste)
brush motor right (cylindrical brush)
- M04/S1 2-pol. AMP Super-Seal
2-pol. AMP Super-Seal
- M09 Hubelement Bürstendeck
lifting element brushdeck
- M10 Hubelement Saugfuß
lifting element squeegee
- M16 Saugmotor
suction motor
- M17 Saugmotor
suction motor
- X44 4-pol. Fastin-Faston 6.3
4-pol. Fastin-Faston 6.3

Anschlussplan / connecting plan

- M03./MP an/at A01/X4
- M03./MN an/at A01/X3
- M04./MP an/at A01/X6
- M04./MN an/at A01/X5



VARIANTE
Tellerbürstenkopf

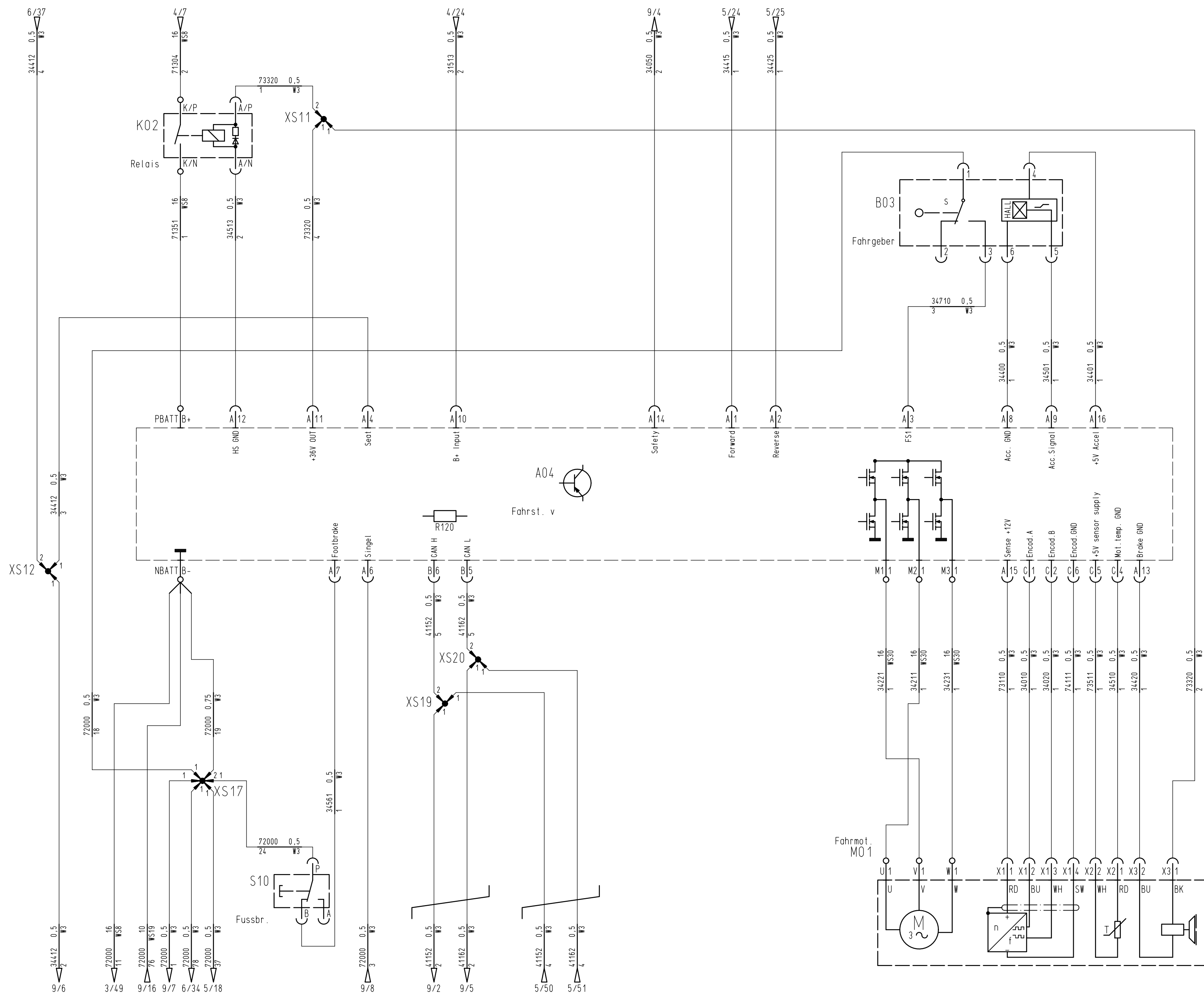
VARIANTE
Walzenbürstenkopf



3	•/•	3905-34	17.01.19	Rifmann	2015	Date	Name	B175 R	Name
					18.03.	18.03.	Ri	Replacem. for	Schaltplan B175 R / circuit diagram B175 R
								Change No.	3737-77
For this drawing we reserve all rights (acc. DIN ISO 16016)									
No. Number appears		Change No.	Date	Name	Standard			KAB1 470	Type 7434 Dep. ELK



Drawing Number	
91037804	
No. of Sh. 15	Sheet 7



Legende

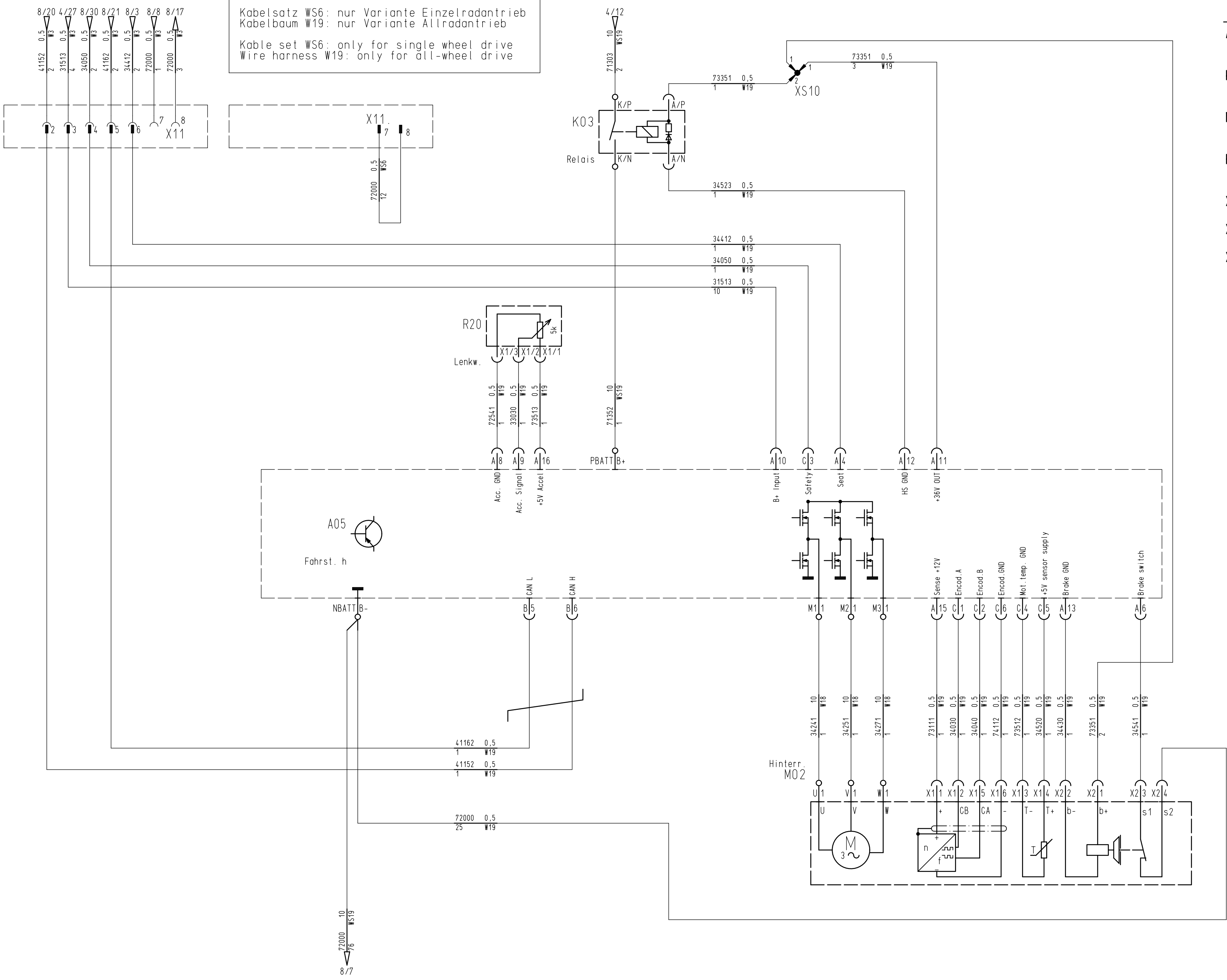
- A04 Fahrsteuerung Vorderrad
drive controller
- B03 Fahrgeber
accelerator
- K02 Relais 1-pol.
relais 1-pole
- M01 Fahrmotor
drive motor
- S10 Fußbremsschalter
switch foot brake
- XS11 USSP
ussp
- XS12 USSP
ussp
- XS17 USSP
ussp
- XS19 USSP
ussp
- XS20 USSP
ussp



3	v.v.	3905-34	17.01.19	Rifmann	2015 Date	Name Ri	B175 R	Name	Drawing Number
					Drawn by	18.03.	Schaltplan B175 R / circuit diagram B175 R		91037804
					Verified	Replacem. for		Hako Hako GmbH D-23840 Bad Odesloe	
					Standard	Change No.	3737-77	For this drawing we reserve all rights (acc. DIN ISO 16016)	
A2	No. Number appears	Change No.	Date	Name	Standard	KAB1 470		Type 7434	Dep. ELK
								No. of Sh. 15	Sheet 8

Kabelsatz WS6: nur Variante Einzelradantrieb
 Kabelbaum W19: nur Variante Allradantrieb
 Cable set WS6: only for single wheel drive
 Wire harness W19: only for all-wheel drive

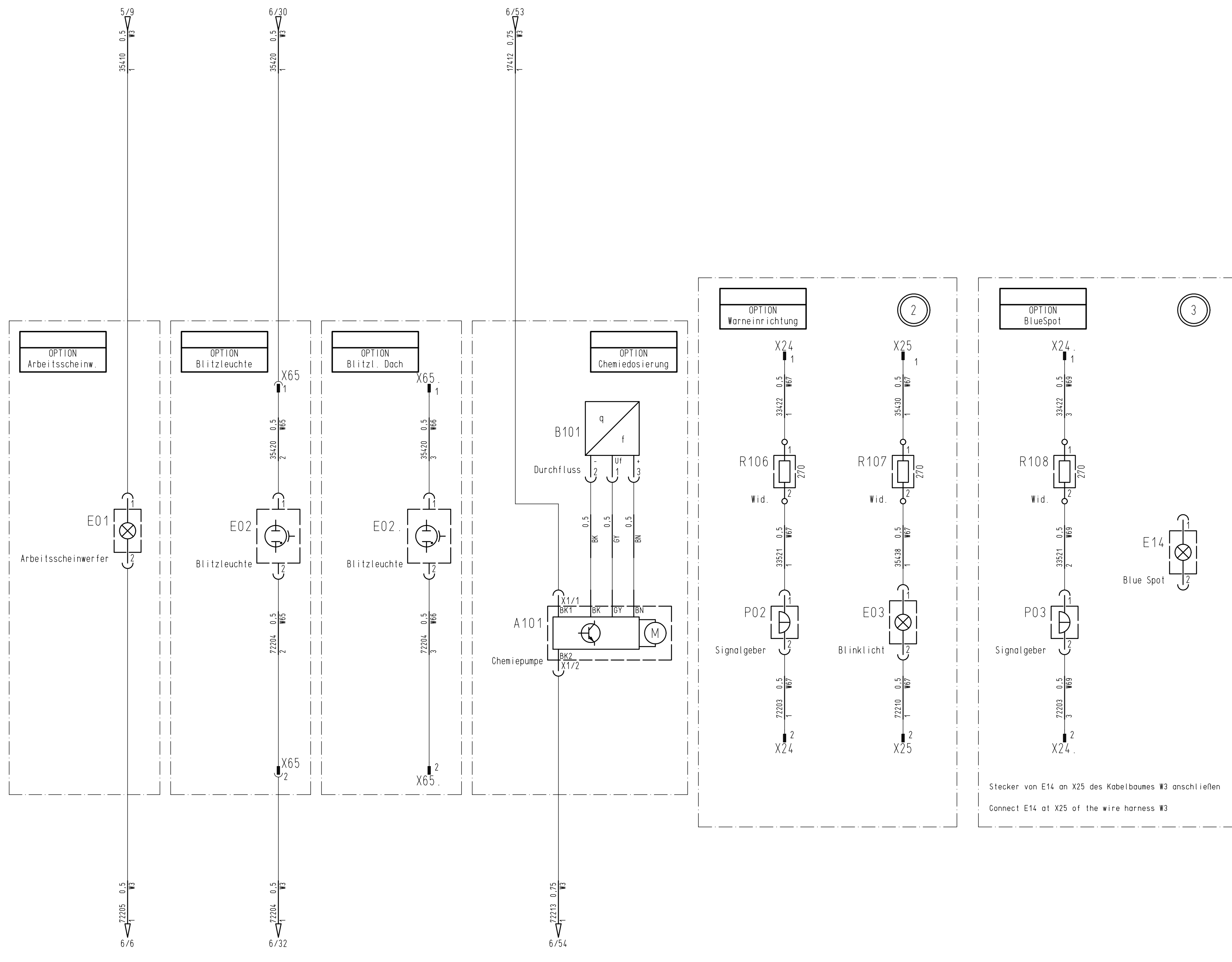
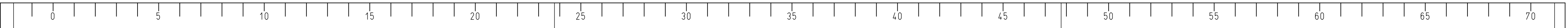
- ### Legende
- A05 Fahrsteuerung Hinterrad
drive controller
 - K03 Relais 1-pol.
relais 1-pole
 - M02 Hinterradantrieb
drive motor rear
 - R20 Lenkwinkelsensor
sensor steer angel
 - X11 8-pol. Mini-Fit Jr.
8-pol. Mini-Fit Jr.
 - X11. 8-pol. Mini-Fit Jr.
8-pol. Mini-Fit Jr.
 - XS10 USSP
ussp



3	•/•	3905-34	17.01.19	Ri/Ilmann	2015	Date	Name	B175 R	Name	Schaltplan B175 R / circuit diagram B175 R	KAB1 470	Type 7434	Dep. ELK	No. of Sh. 15	Sheet 9
					Drawn by	18.03.	Ri								
A2	No. Number appears	Change No.	Date	Name	Standard	Change No.	3737-77	For this drawing we reserve all rights (acc. DIN ISO 16016)							



Drawing Number
91037804



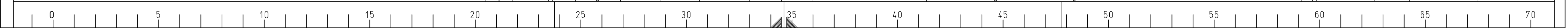
Legende

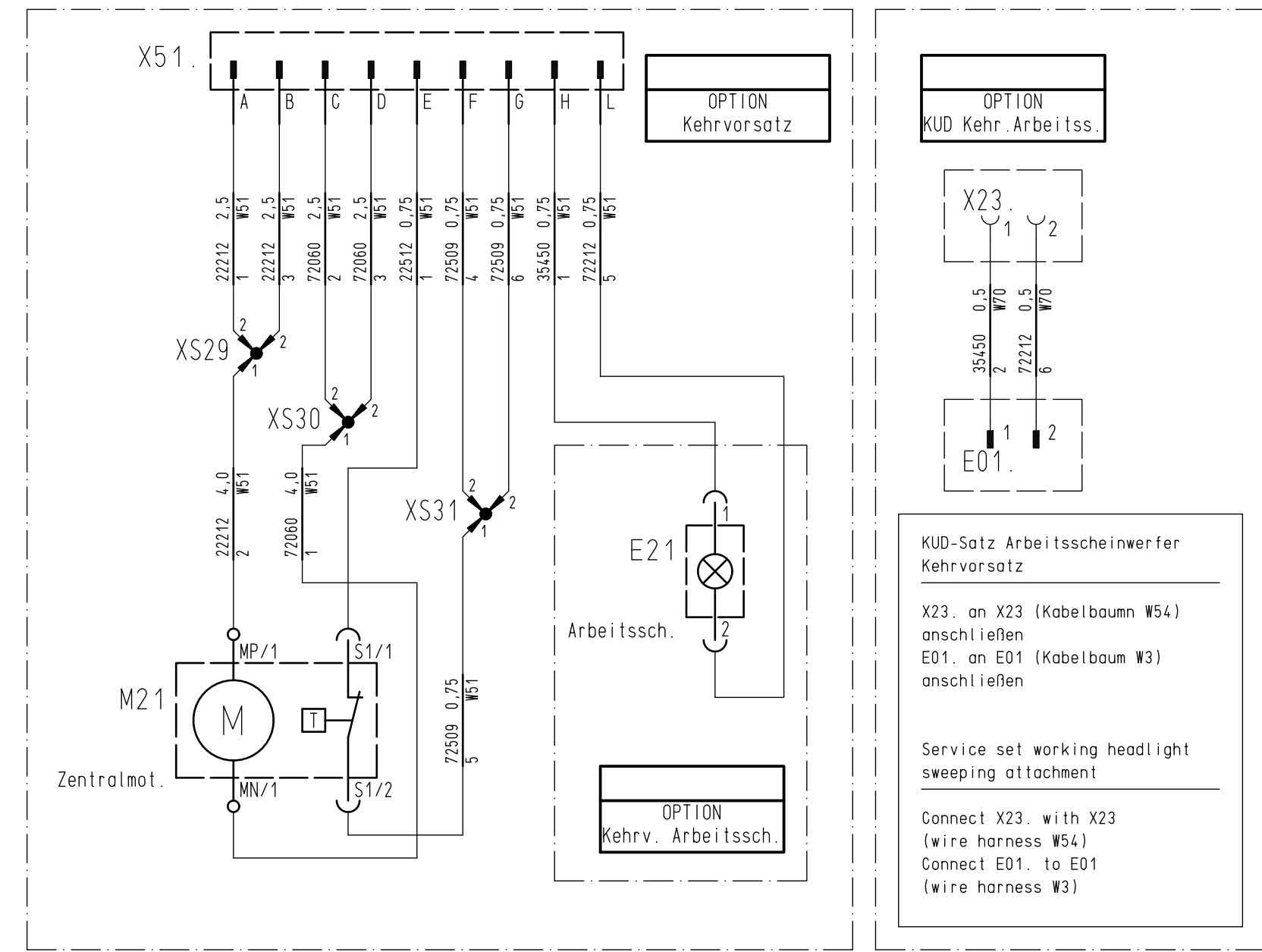
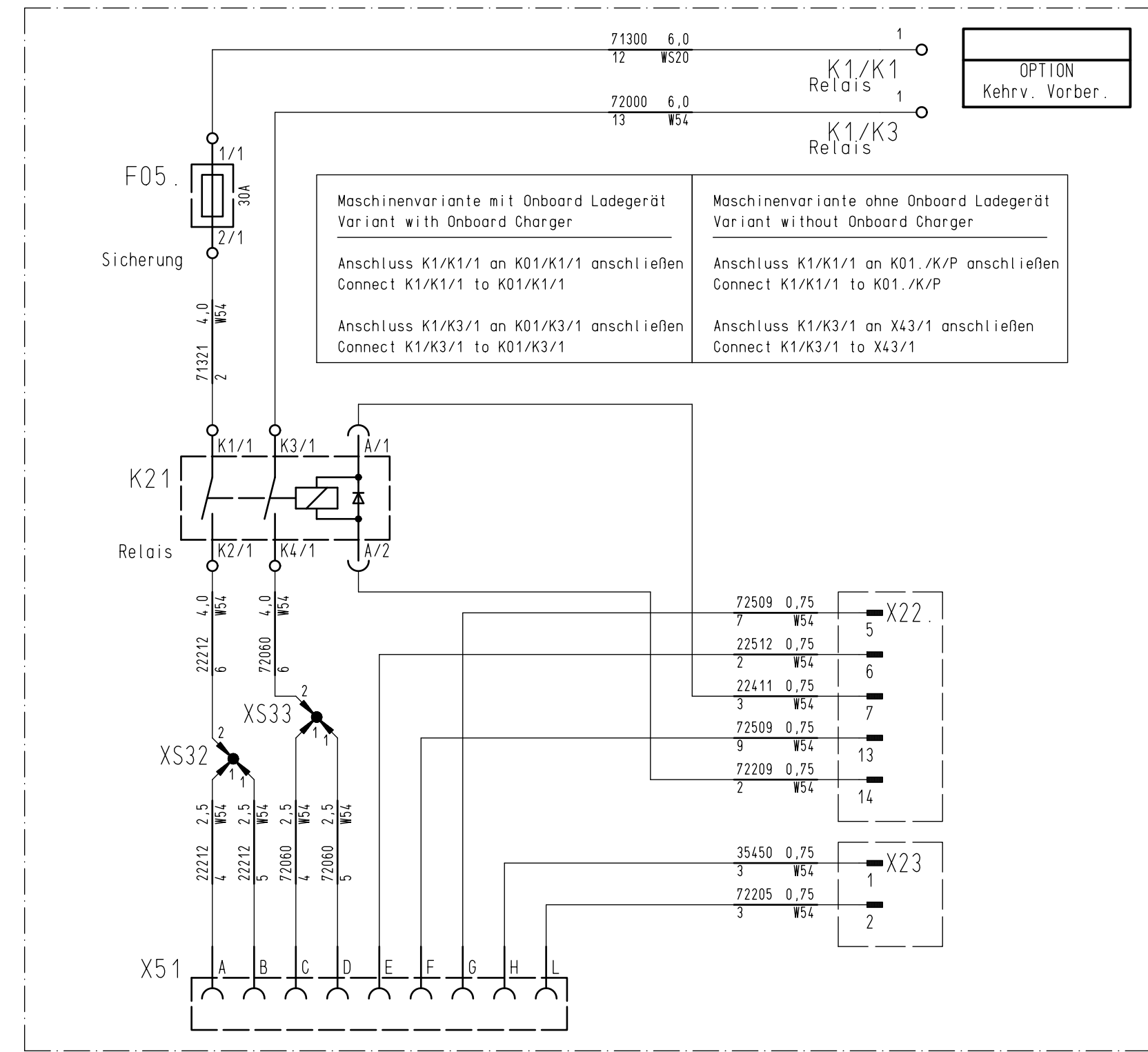
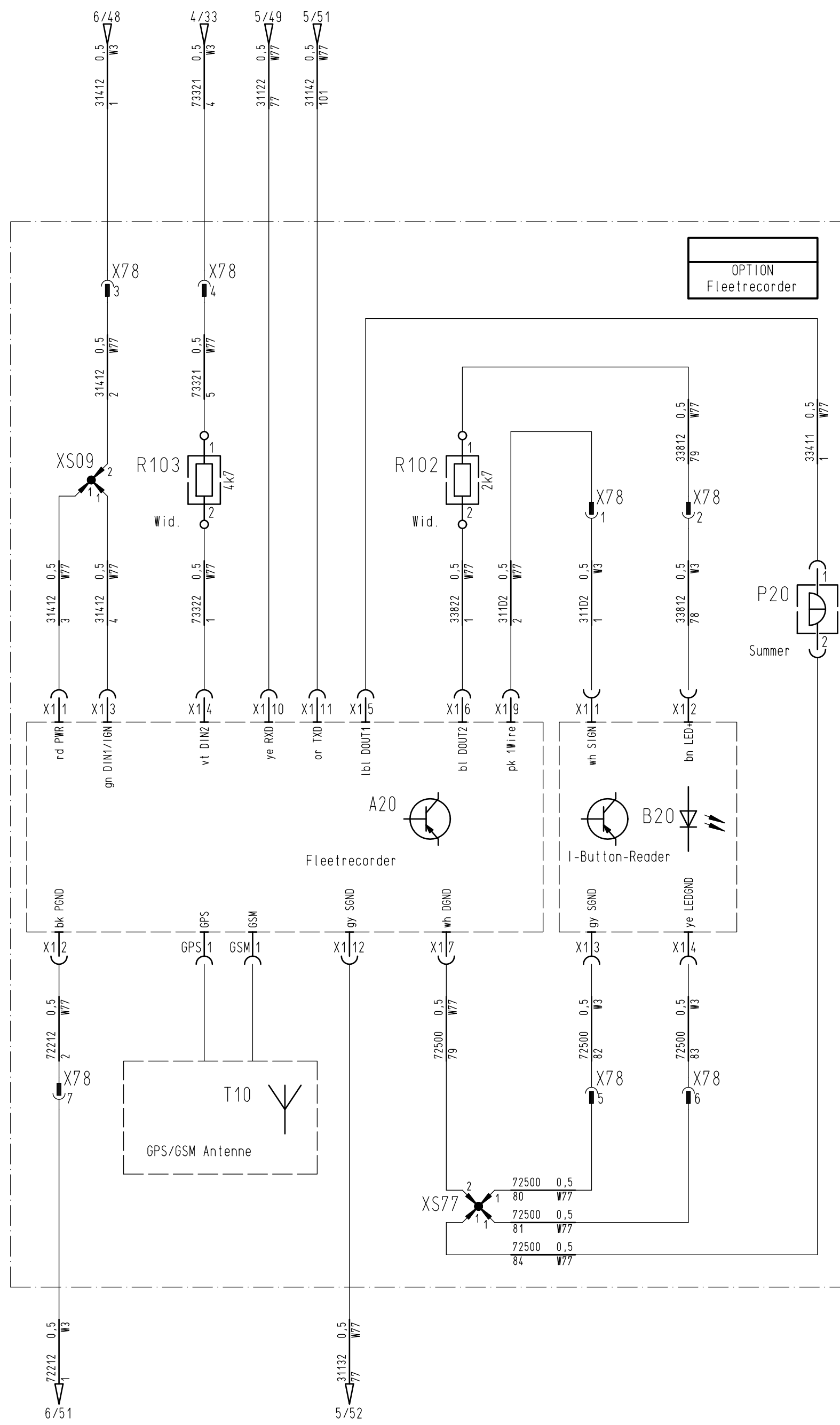
- A101 Chemiepumpensteuerung
chemical pump controller
- B101 Durchflussmesser
flow sensor
- E01 Arbeitsscheinwerfer
working headlight
- E02 Blitzleuchte
warning beacon
- E02. Blitzleuchte am Schutzdach
warning beacon on overhead cover
- E03 Blinklicht
warning beacon
- E14 Blue Spot
blue spot
- P02 Signalgeber
buzzer
- P03 Signalgeber
buzzer
- R106 Vorwiderstand R270
resistor R270
- R107 Vorwiderstand R270
resistor R270
- R108 Vorwiderstand R270
resistor R270
- X24 2-pol. Microfit
2-pol. Microfit
- X24. 2-pol. Microfit
2-pol. Microfit
- X25 2-pol. Mini-Fit Jr.
2-pol. Mini-Fit Jr.
- X65 2-pol. Mini-Fit Jr.
2-pol. Mini-Fit Jr.
- X65. 2-pol. Mini-Fit Jr.
2-pol. Mini-Fit Jr.

Stecker von E14 an X25 des Kabelbaumes W3 anschließen
Connect E14 at X25 of the wire harness W3



3	1 x	3905-34	17.01.19	Rifmann	2015	Date	Name	B175 R	Name	Schaltplan B175 R / circuit diagram B175 R	Drawing Number 91037804
					Drawn by	18.03.	Ri				
A2 No. Number appears		Change No.	Date	Name	Standard	Change No.	3737-77				





- ### Legende
- A20 Fleetrecorder
fleetrecorder
 - B20 I-Button-Reader
i-button-reader
 - E01. Arbeitsscheinwerfer
working headlight
 - E21 Arbeitsscheinwerfer Anbauteil
working headlight attached part
 - F05. Sicherung Kehrv-Saugvorsatz 30A
fuse front sweeper 30A
 - K1/K1 Hauptrelais 2-pol.
main relais 2-pole
 - K1/K3 Hauptrelais 2-pol.
main relais 2-pole
 - K21 Relais 2-pol.
relais 2-pole
 - M21 Zentralmotor
combined motor
 - P20 Summer Fleetrecorder
buzzer fleetrecorder
 - R102 Vorwiderstand 2k7
resistor 2k7
 - R103 Vorwiderstand 4k7
resistor 4k7
 - T10 Kombiantenne
antenna
 - X22. 14-pol. Mini-Fit Jr.
14-pol. Mini-Fit Jr.
 - X23 2-pol. Mini-Fit Jr.
2-pol. Mini-Fit Jr.
 - X23. 2-pol. Mini-Fit Jr.
2-pol. Mini-Fit Jr.
 - X51 9-pol. Anbauteil
9-pol. attached part
 - X51. 9-pol. Anbauteil
9-pol. attached part
 - X78 8-pol. MicroFit
8-pol. MicroFit
 - XS09 USSP
ussp
 - XS29 USSP
ussp
 - XS30 USSP
ussp
 - XS31 USSP
ussp
 - XS32 USSP
ussp
 - XS33 USSP
ussp
 - XS77 USSP
ussp



3	3905-34	17.01.19	Ri/Imann	2015	Date	Name	B175 R	Name	Schaltplan B175 R / circuit diagram B175 R	 Hako GmbH D-23840 Bad Oldesloe	Drawing Number			
				Drawn by	18.03.	Ri	Replacem. for				91037804	No. of Sh.	15	Sheet
A2	No. Number appears	Change No.	Date	Name	Standard	111	Change No.	3737-77	For this drawing we reserve all rights (acc. DIN ISO 16016)			KAB1 470	Type 7434	Dep. ELK

Maschinenvariante mit Onboard Ladegerät
Variant with Onboard Charger

Anschluss K1/K2/1 an K01/K2/1 anschließen
Connect K1/K2/1 to K01/K2/1

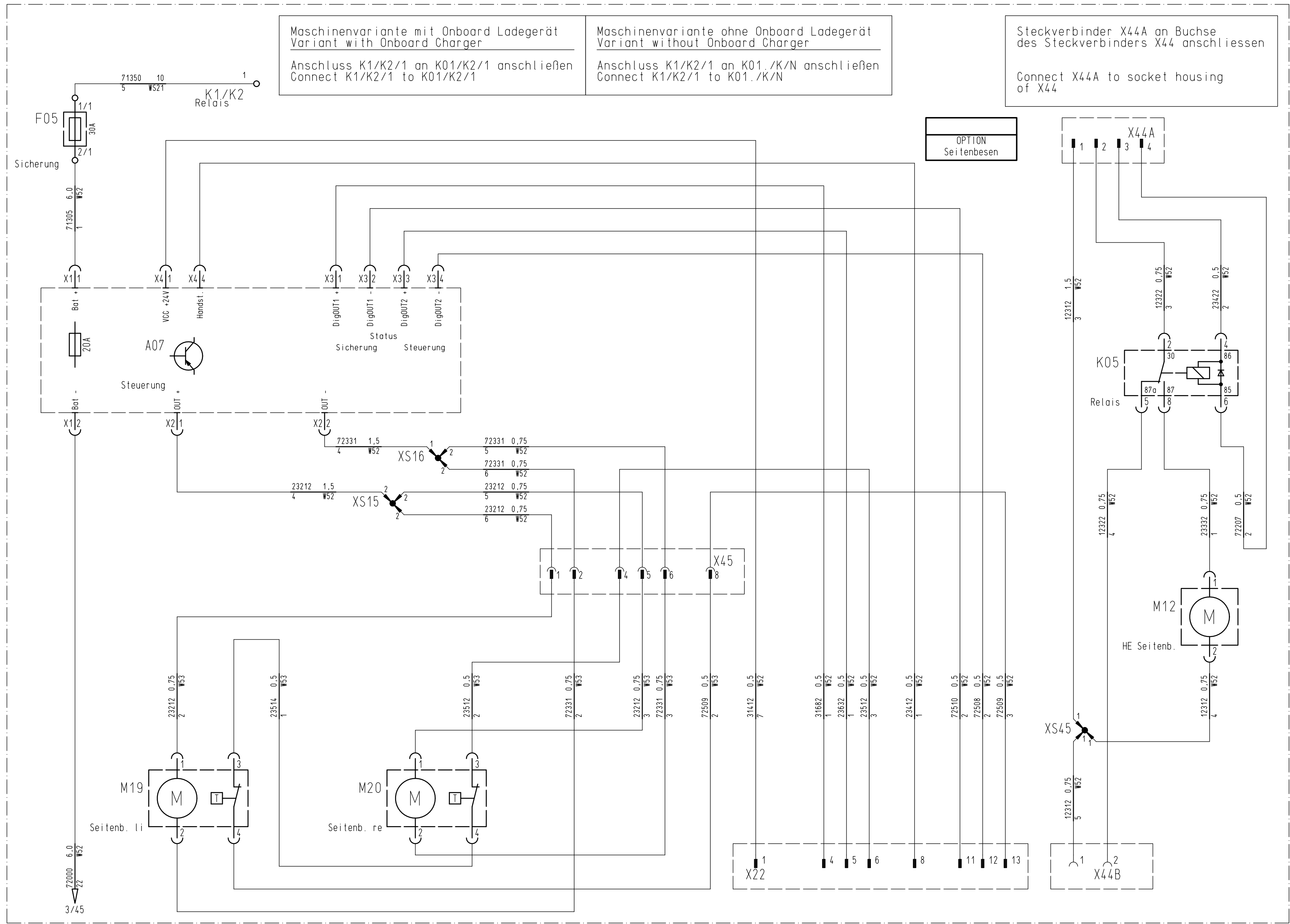
Maschinenvariante ohne Onboard Ladegerät
Variant without Onboard Charger

Anschluss K1/K2/1 an K01./K/N anschließen
Connect K1/K2/1 to K01./K/N

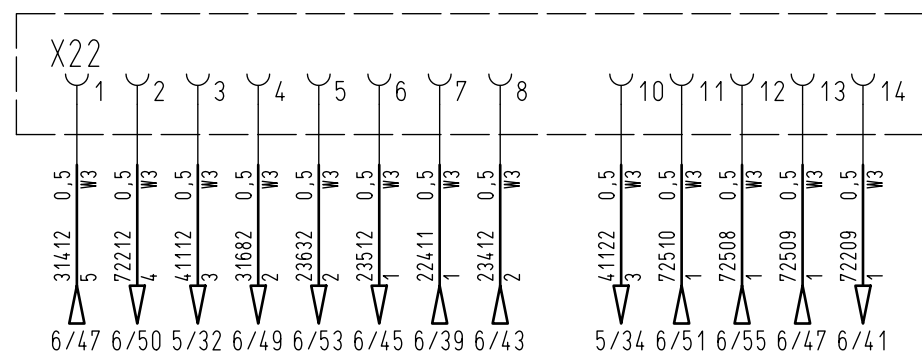
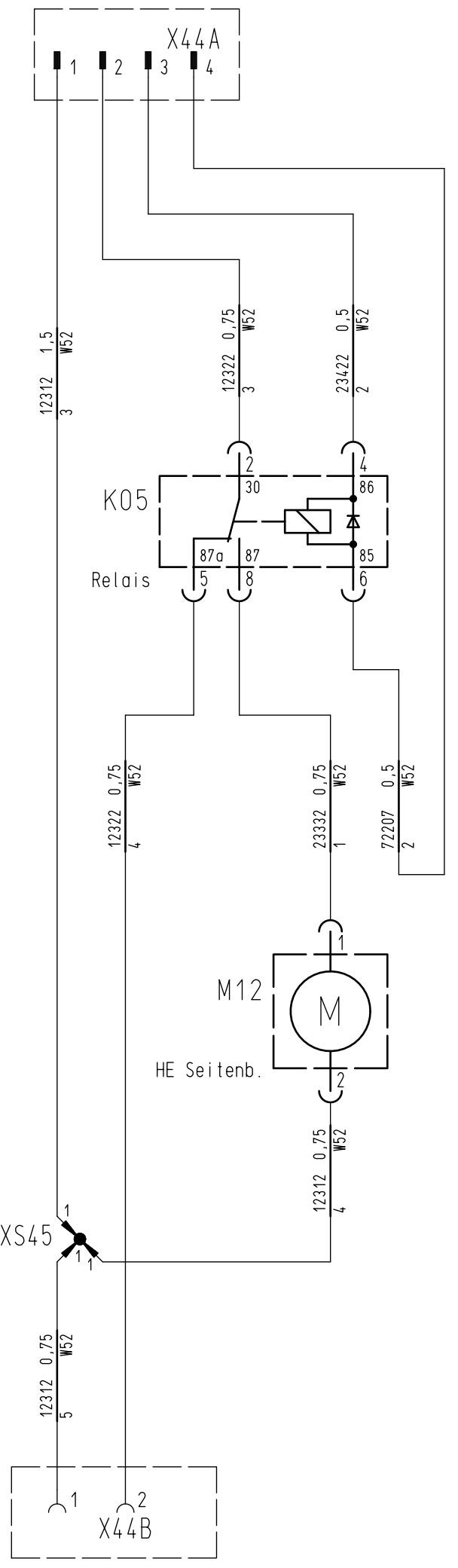
Steckverbinder X44A an Buchse des Steckverbinders X44 anschließen
Connect X44A to socket housing of X44

Legende

- A07 Steuerung Seitenbesen controller side brushes
- F05 Sicherung Seitenbesen 30A fuse side broom 30A
- K1/K2 Hauptrelais 2-pol. main relais 2-pole
- K05 Rel. Ausheb. rel. sidebr.
- M12 Hubelement Seitenbesenanlage lifting element side brush deck
- M19 Seitenbesenmotor links sidebroom left
- M20 Seitenbesenmotor rechts sidebroom right
- X22 14-pol. Mini-Fit Jr. 14-pol. Mini-Fit Jr.
- X44A 4-pol. Fastin-Faston 6.3 4-pol. Fastin-Faston 6.3
- X44B 4-pol. Fastin-Faston 6.3 4-pol. Fastin-Faston 6.3
- X45 8-pol. Mini-Fit Jr. 8-pol. Mini-Fit Jr.
- XS15 USSP ussp
- XS16 USSP ussp
- XS45 USSP ussp



OPTION
Seitenbesen



Steckverbinder X44B an Stecker des Steckverbinders X44 anschließen
Connect X44B to plug housing of X44

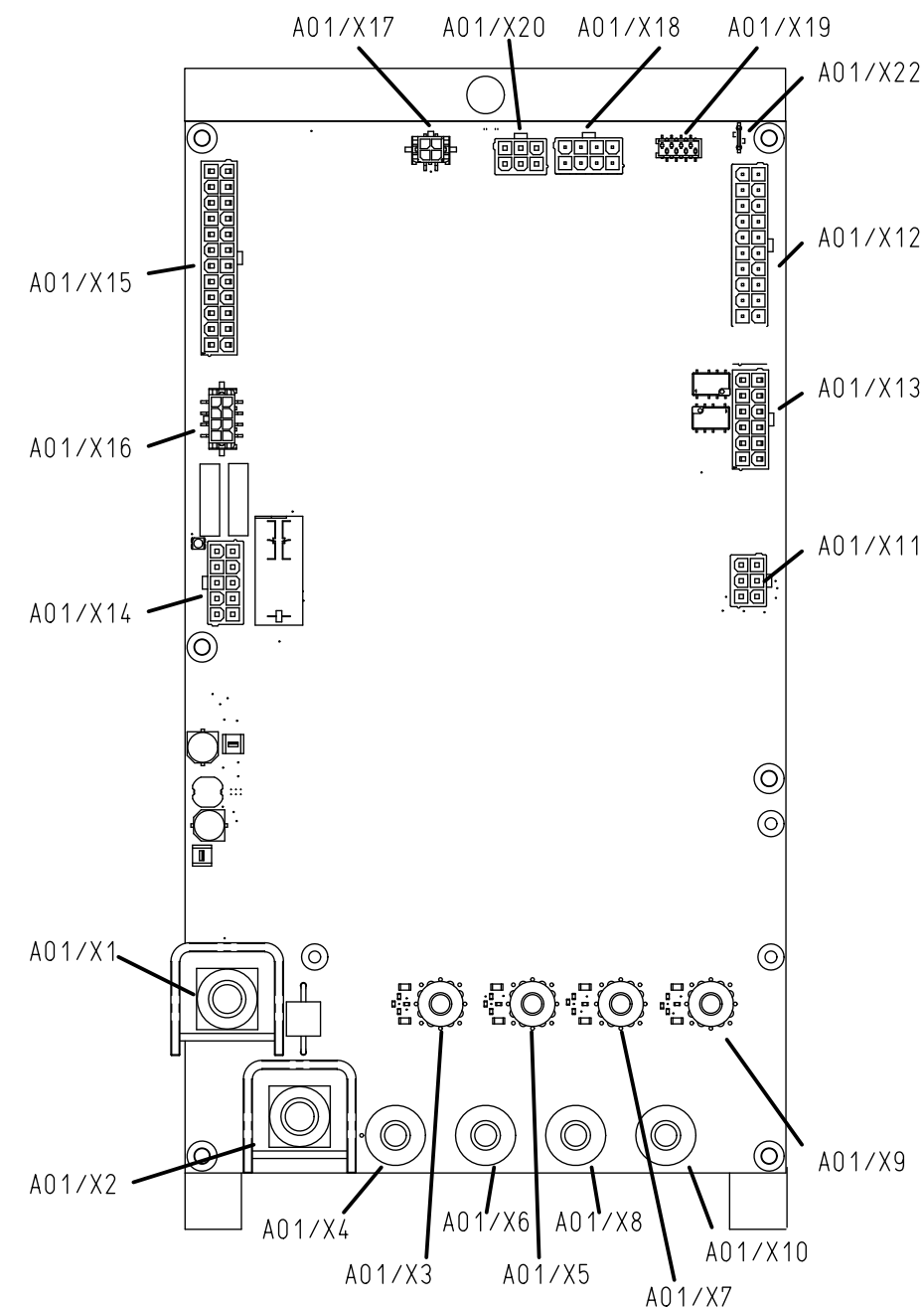


3		3905-34	17.01.19	Ri/Man	2015	Date	Name	B175 R	Name	Schaltplan B175 R / circuit diagram B175 R	KAB1 470	Type 7434	Dep. ELK	Drawing Number	
3		•/•			18.03.	Ri		Replacem. for						91037804	
A2	No.	Number appears	Change No.	Date	Name	Standard	Change No.	3737-77	For this drawing we reserve all rights (acc. DIN ISO 16016)			No. of Sh.	15	Sheet	12

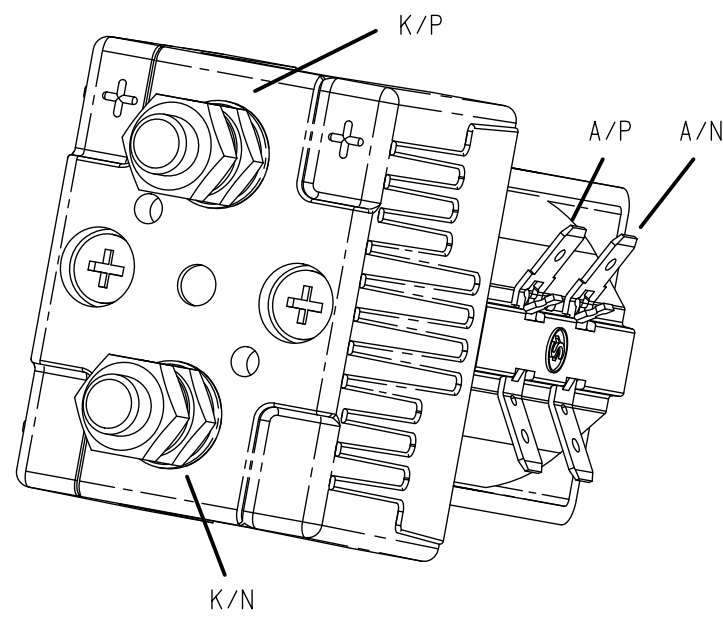


Hako GmbH
D-23840 Bad Oldesloe

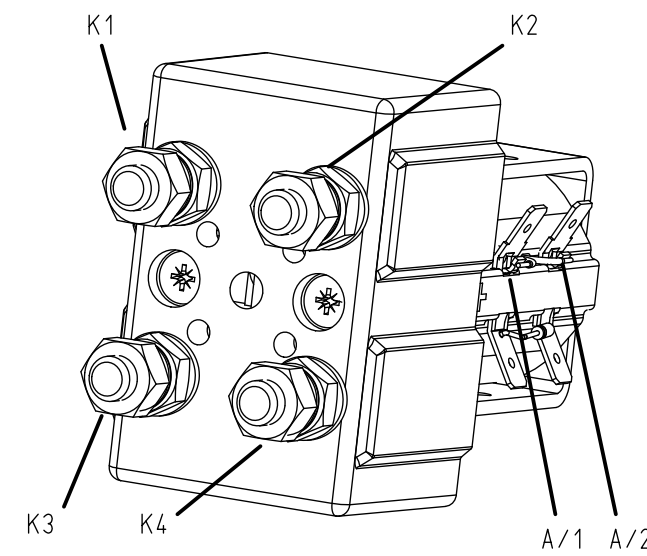
A01: Maschinensteuerung
A01: machine controller



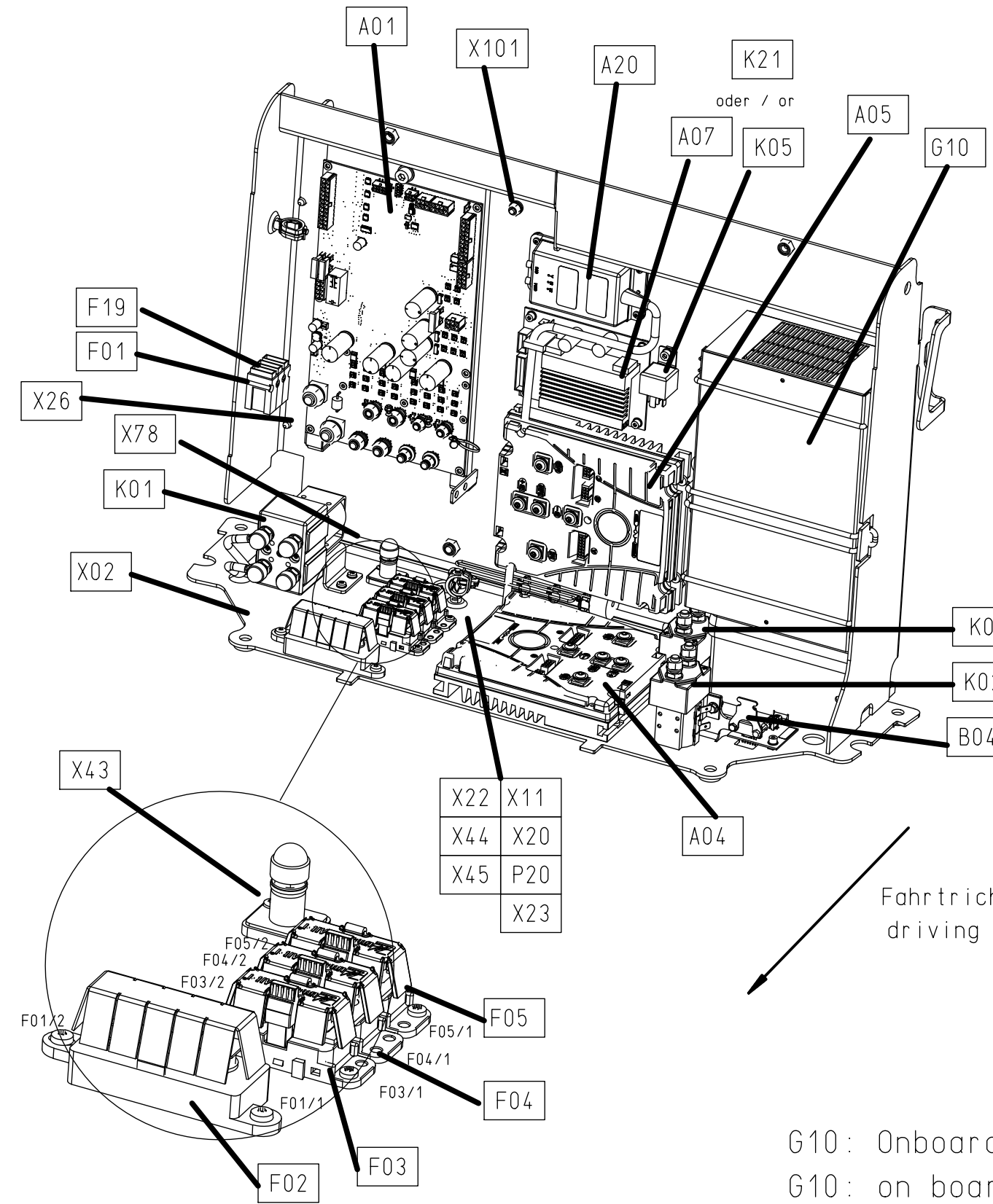
K01: Relais (ohne Onboard-Ladegerät)
K01: relay (without Onboard-Charger)



K01: Relais (mit Onboard-Ladegerät)
K01: relay (with Onboard-Charger)

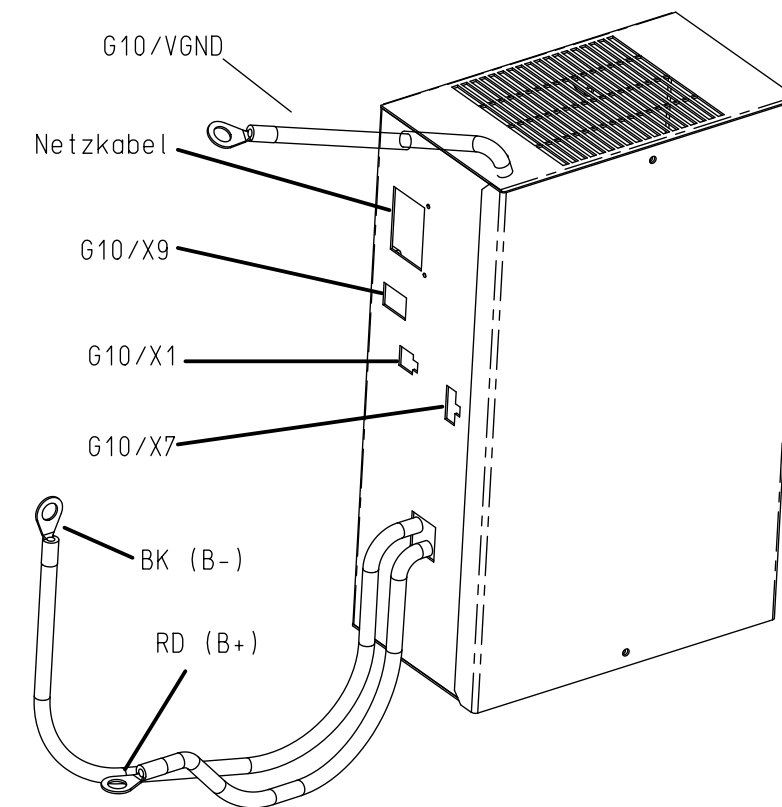


Elektronikraum
electronic space

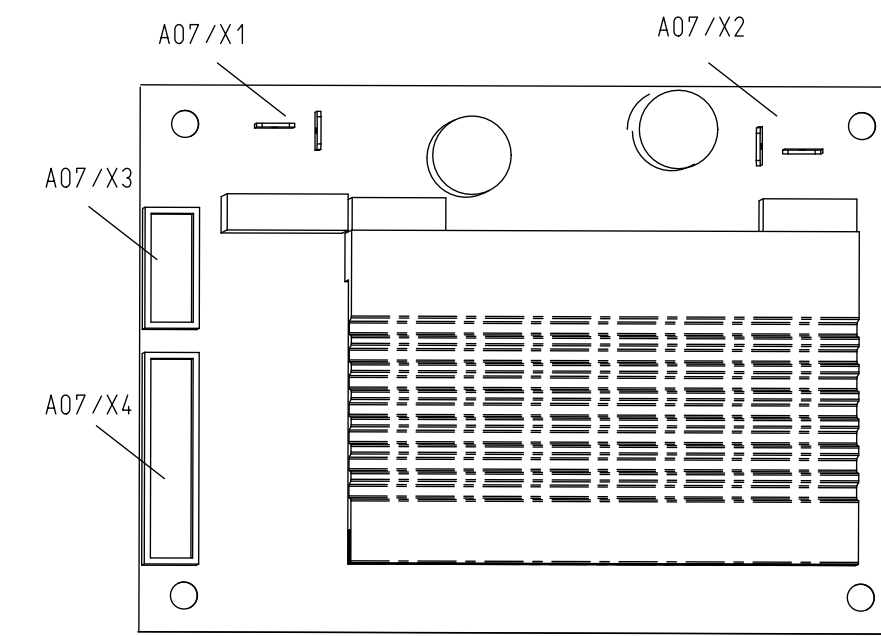


Fahrtrichtung
driving direction

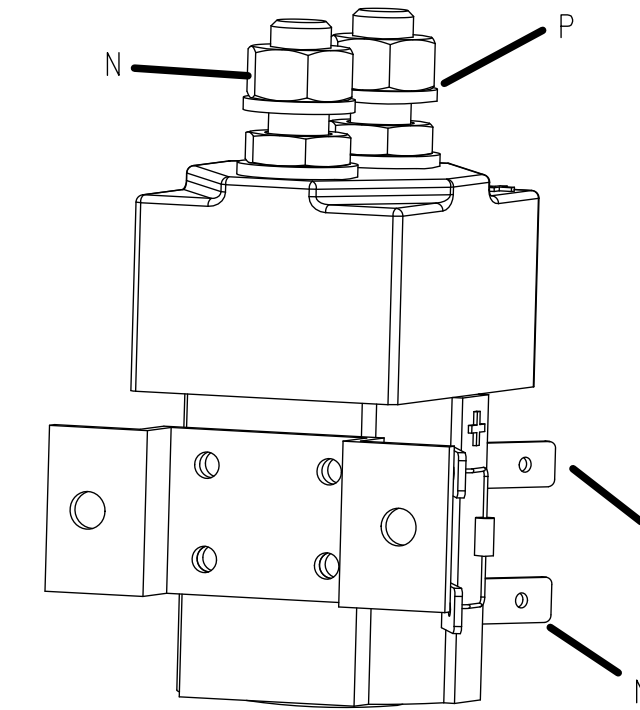
G10: Onboard-Ladegerät
G10: on board charger



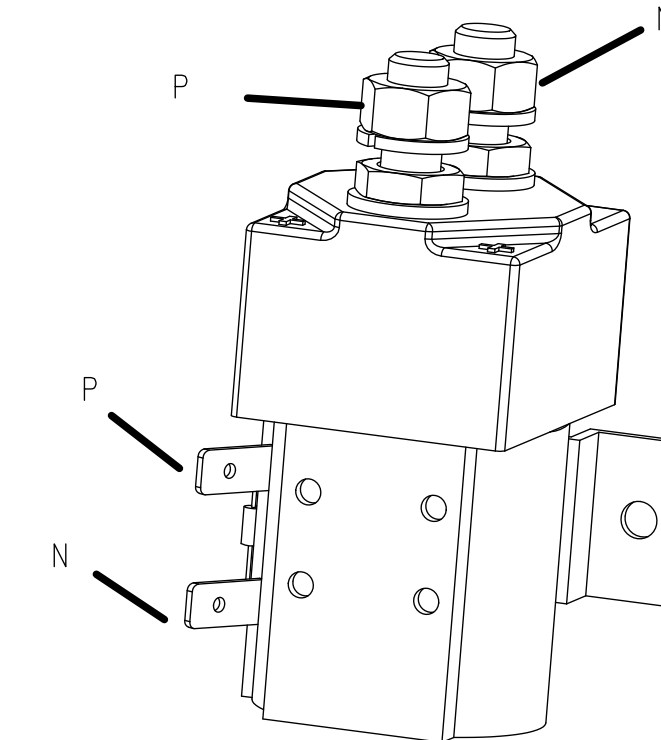
A07: Steuerung Seitenbesenmotoren
A07: controller side brush motors



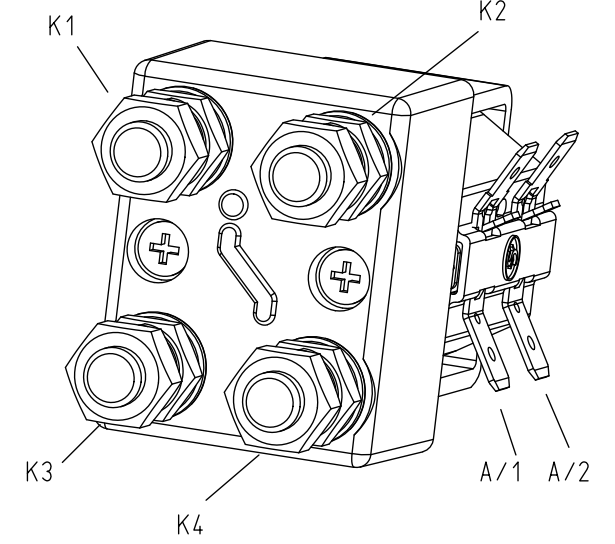
K03: Relais
K03: relay



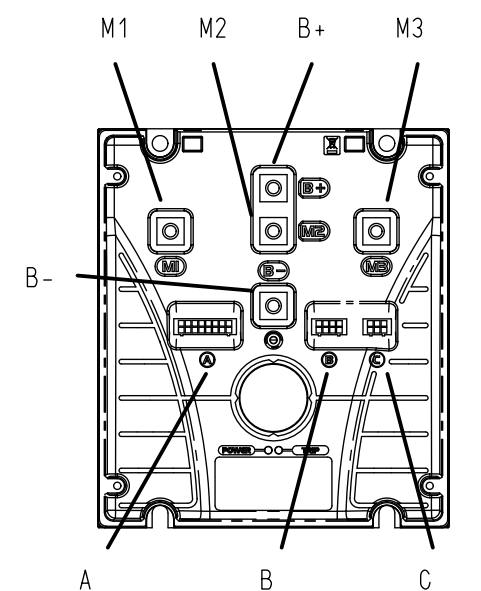
K02: Relais
K02: relay



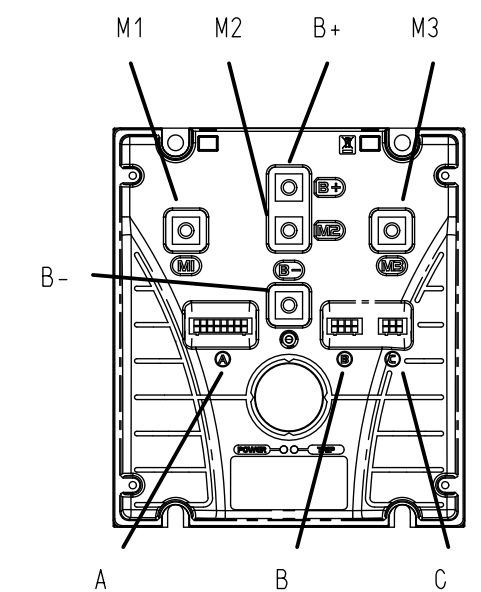
K21: Relais
K21: relay



A05: Fahrsteuerung
A05: drive controller

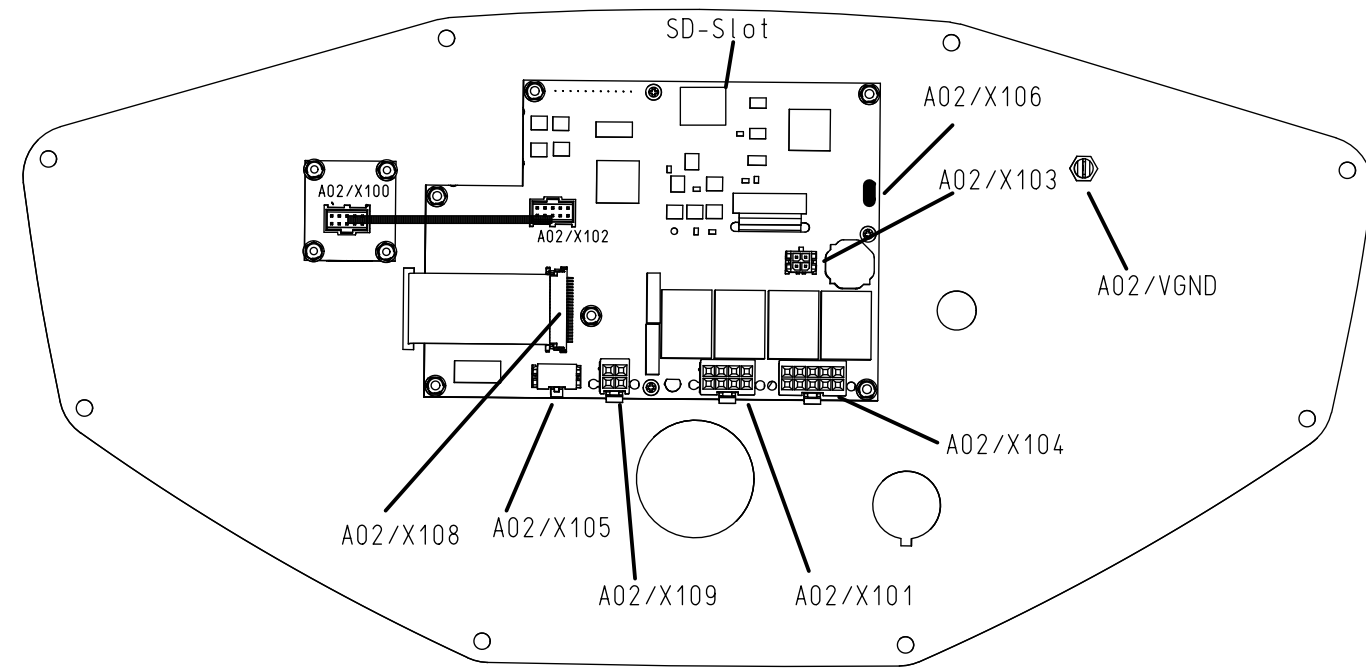


A04: Fahrsteuerung
A04: drive controller

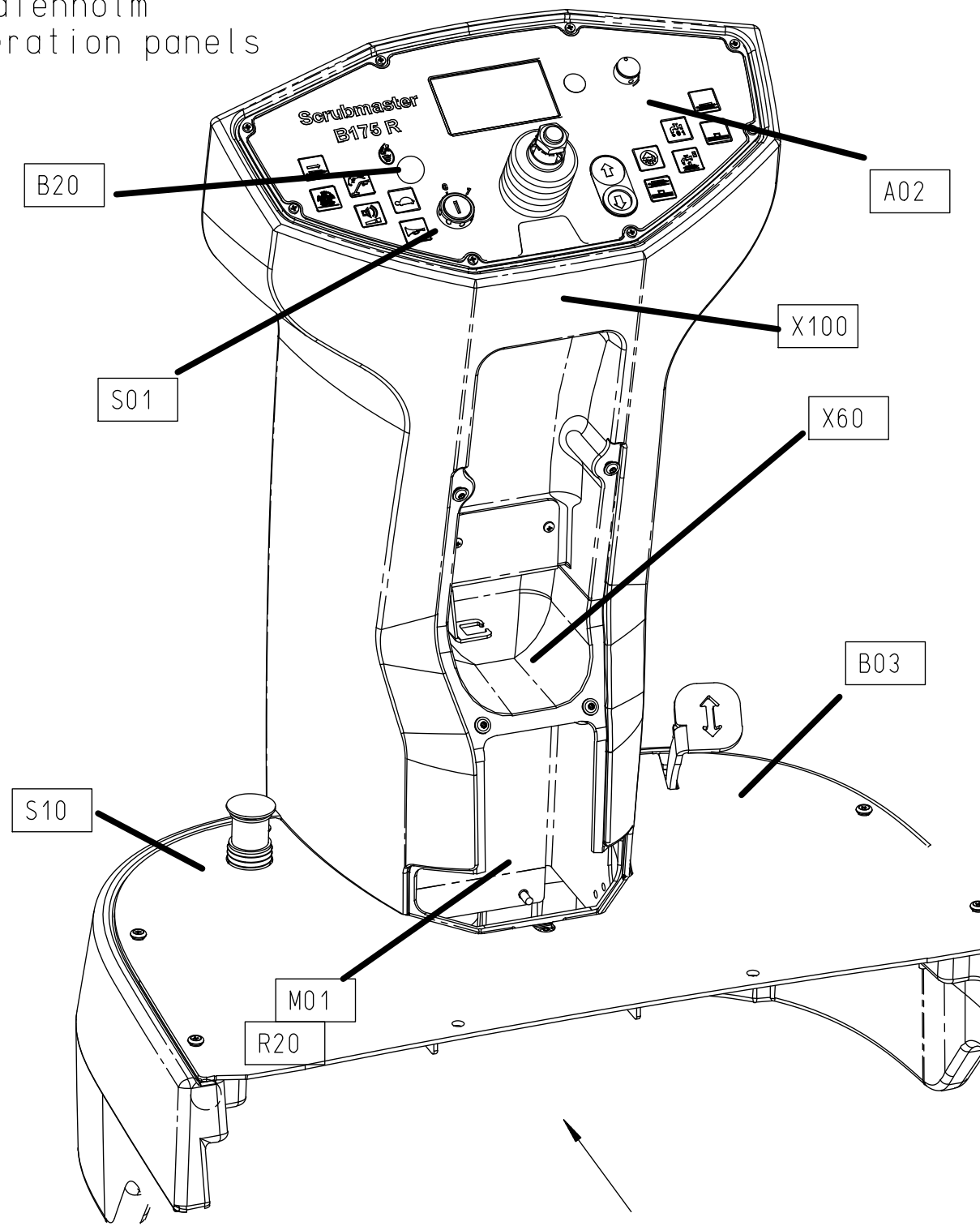


3	..	3905-34	17.01.19	Ri/Man	2015	Date	Name	B175 R	Name	Schaltplan B175 R / circuit diagram B175 R	Hako Hako GmbH D-23840 Bad Oldesloe	Drawing Number 91037804		
A2	No. Number appears	Change No.	Date	Name	Standard	18.03.	Ri	Replacem. for Change No. 3737-77	For this drawing we reserve all rights (acc. DIN ISO 16016)				KABI 470	Type 7434

A02: Bedienfeld (Blick auf Platine)
 A02: control panel (view of the board)



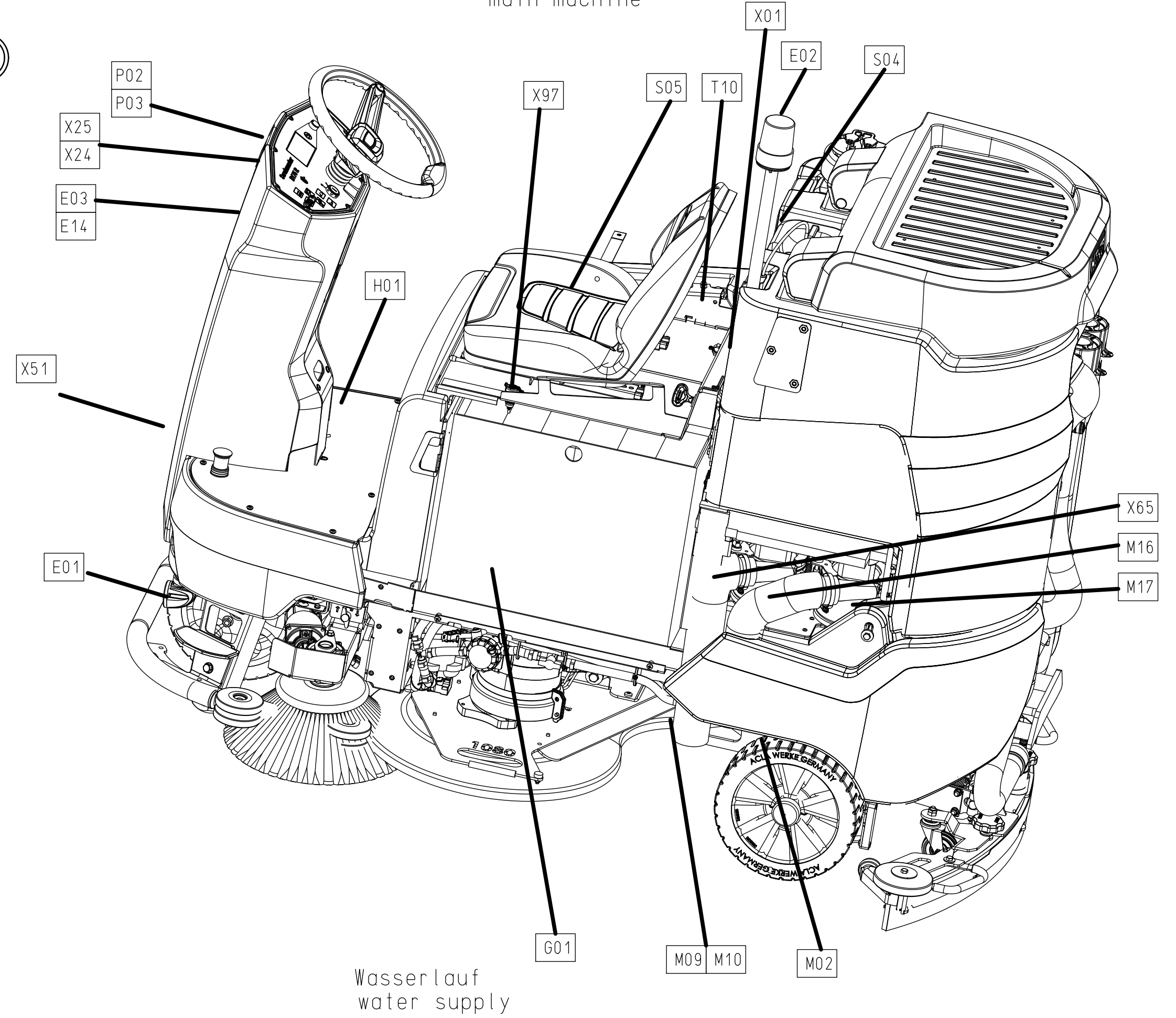
Bedienholm
 operation panels



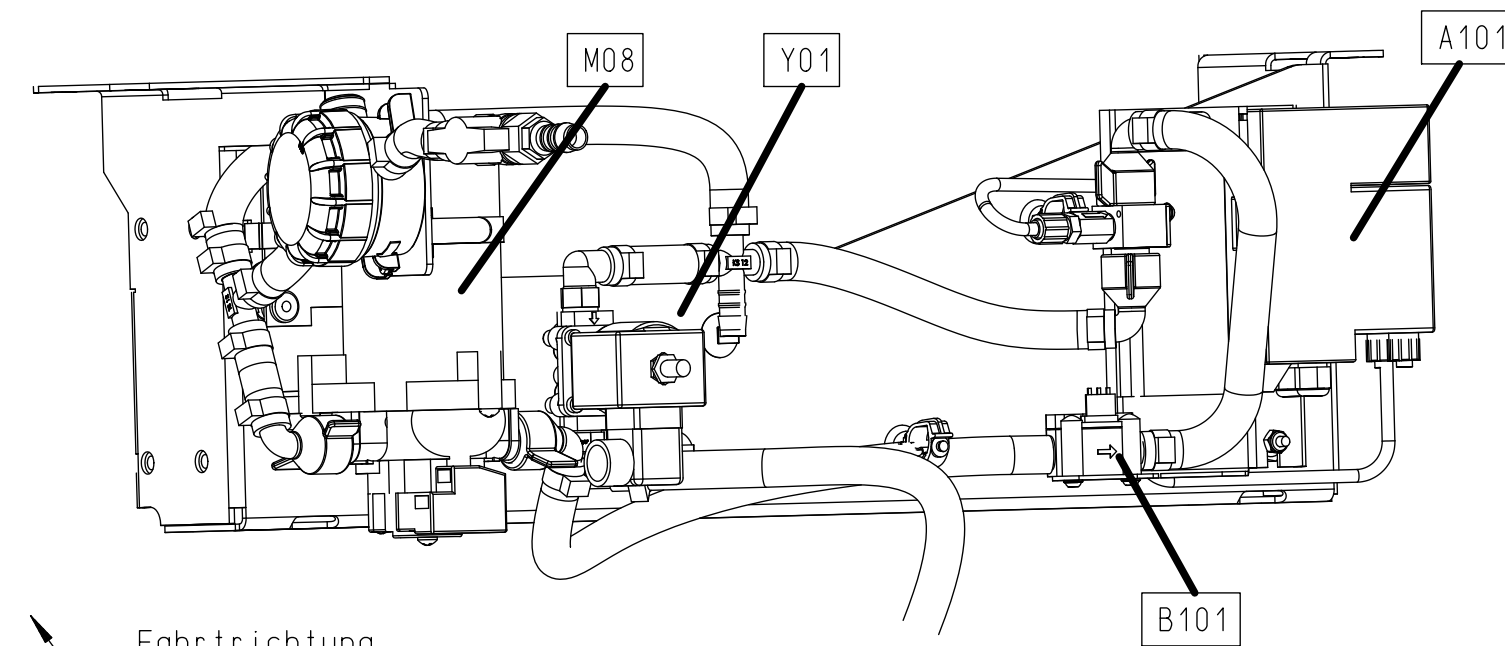
Fahrtrichtung
 driving direction

Gesamtmaschine
 main machine

3



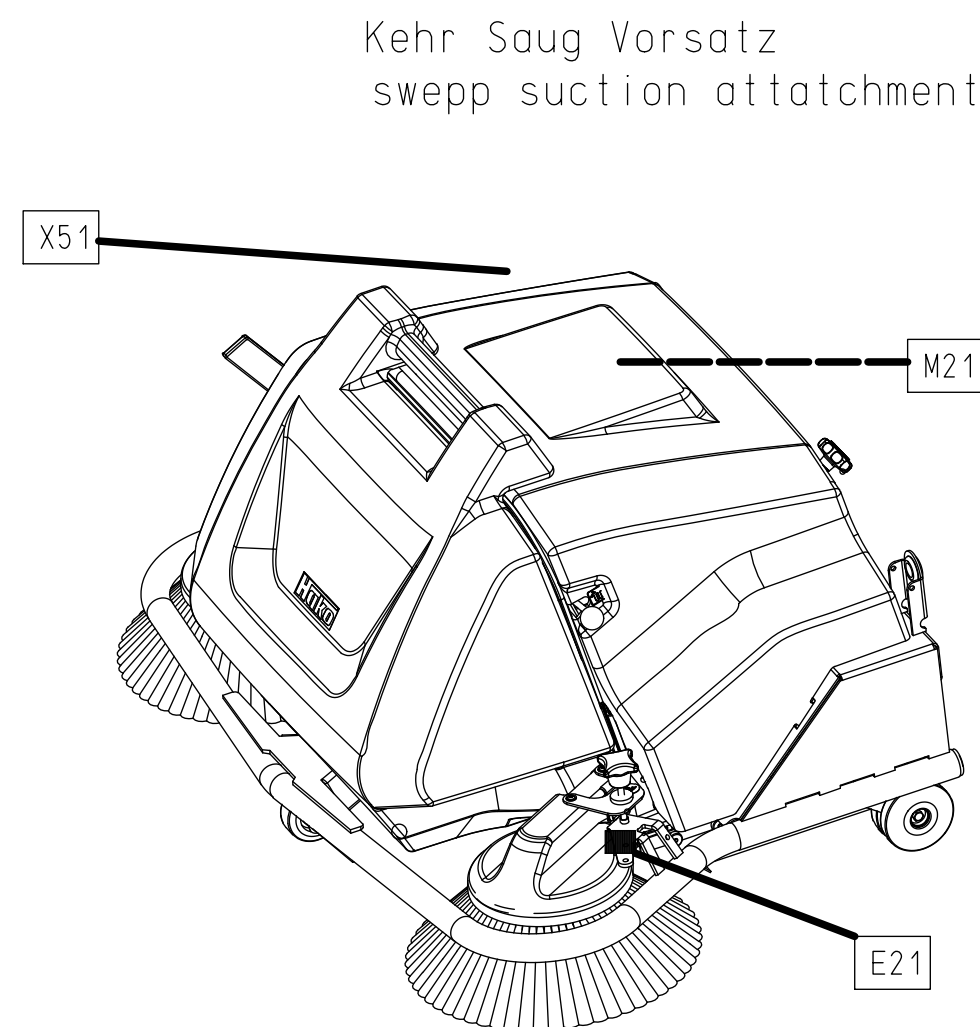
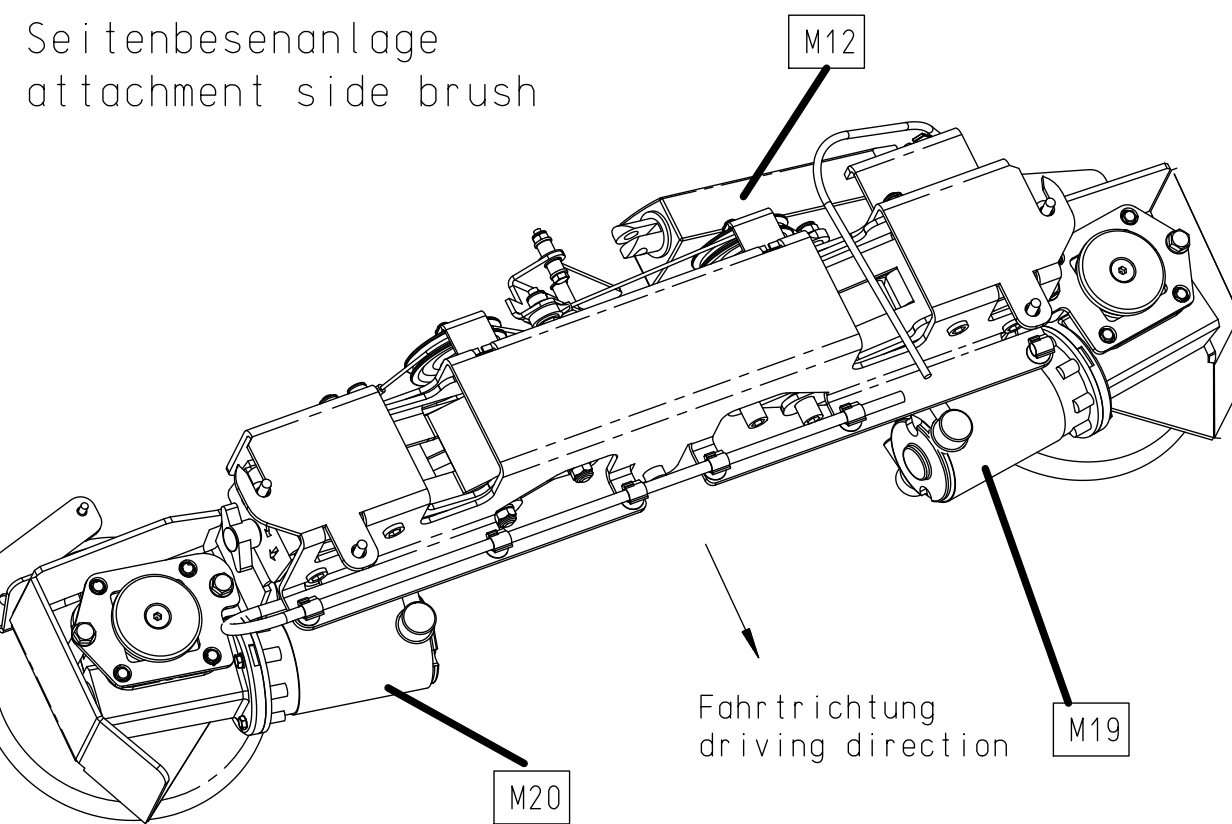
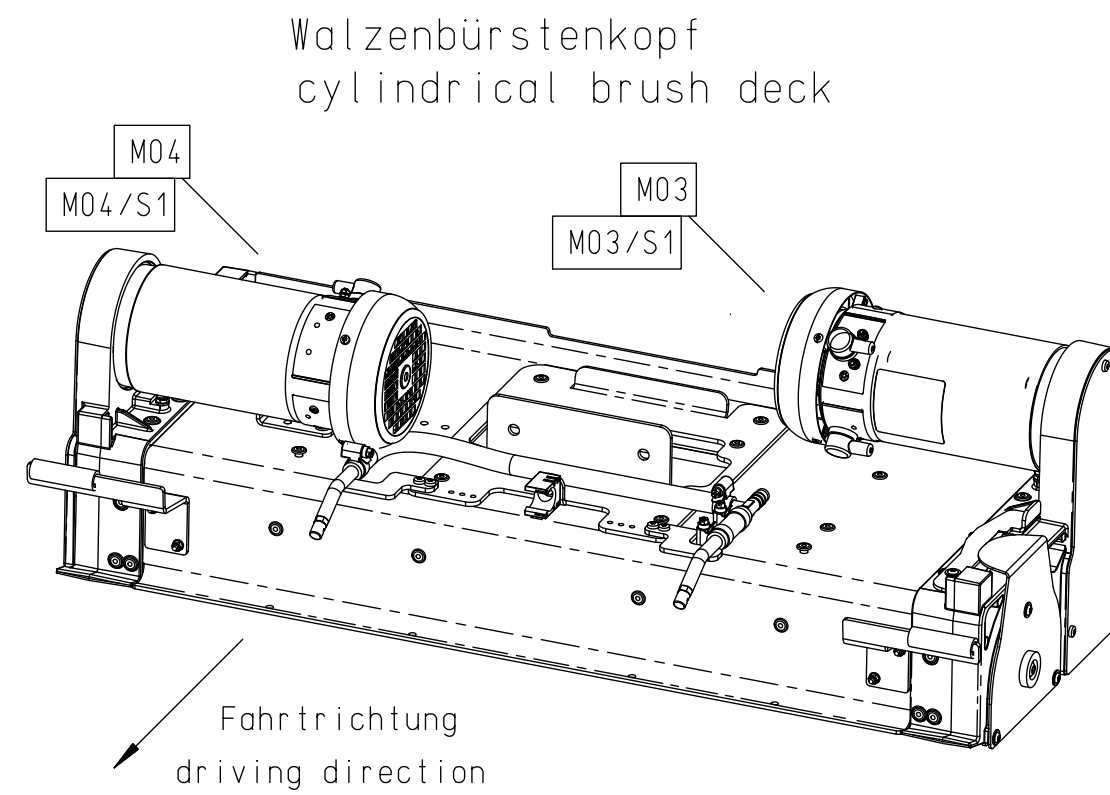
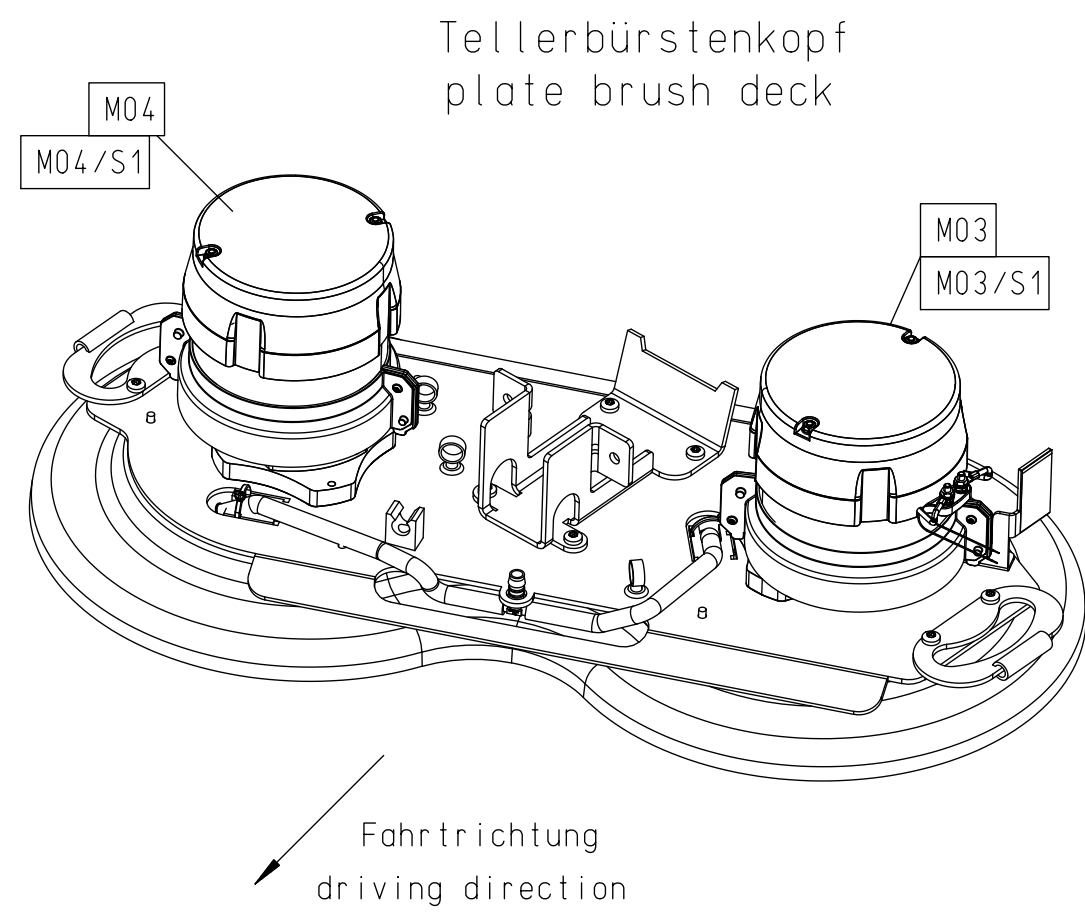
Wasserlauf
 water supply



Fahrtrichtung
 driving direction



3	1 x	3905-34	17.01.19	Ri/mann	2015 Date	18.03. Date	Ri Name	B175 R Name	Schaltplan B175 R / circuit diagram B175 R	Hako Hako GmbH D-23840 Bad Oldesloe	Drawing Number 91037804
A2	No. Number appears	Change No.	Date	Name	Standard	Change No.	3737-77	Replacem. for Change No.	For this drawing we reserve all rights (acc. DIN ISO 16016)	KAB1 470 Type 7434 Dep. ELK	No. of Sh. 15 Sheet 14



3	•/•	3905-34	17.01.19	Ri/ffmann	2015 Drawn by Verified	Date 18.03.	Name Ri	B175 R Replacem. for Change No. 3737-77	Name Schaltplan B175 R / circuit diagram B175 R For this drawing we reserve all rights (acc. DIN ISO 16016)	 Hako GmbH D-23840 Bad Oldesloe	Drawing Number 91037804	
A2	No. Number appears	Change No.	Date	Name	Standard				KAB1 470	Type 7434	Dep. ELK	No. of Sh. 15 Sheet 15